

# WELLCARE

## Electric Underblanket

Single | Double

Instruction Manual

**WE-167UBHD**  
**WE-167UBTHD**

**Elektrisches**

**Wärmeunterbett**

1 Person | 2 Personen

**Gebrauchsanleitung**



**Elektrische Onderdeken**

1 Persoon | 2 Persoons

**Gebruiksaanwijzing**



**Sous-couverture**

**Électrique**

Simple | Double

**Mode d'emploi**

# **MODEL: WE-167UBHD / WE-167UBTHD**

<b>EN</b>	Electric Underblanket Single   Double Instruction Manual	..... 03
<b>DE</b>	Elektrisches Wärmeunterbett 1 Person   2 Personen Gebrauchsanleitung	..... 20
<b>NL</b>	Elektrische Onderdeken 1 Persoon   2 Persoons Gebruiksaanwijzing	..... 39
<b>FR</b>	Sous-couverture Électrique Simple   Double Mode d'emploi	..... 57

B805.101-N0907



---

**WELLCARE CO., LTD.**

16F, No. 738, Zhong Zheng Rd., Zhong He District, New Taipei City 235, Taiwan

Tel. 886 2 8226 2899 Fax. 886 2 8226 2889

[www.wellcare-global.com](http://www.wellcare-global.com)

## Explanation of symbols



Read instructions



Do not use when folded or creased



Do not pierce with needles



Not to be used by very young children (0-3 years)



Do not dry clean



30°C extra gentle washing program



Do not bleach



Do not tumble dry



Do not iron

Thank you for purchasing WELLCARE's Electric Underblanket.

To enjoy the most comfortable experience and the greatest satisfaction, please take a few minutes to read this instruction carefully before using this product.

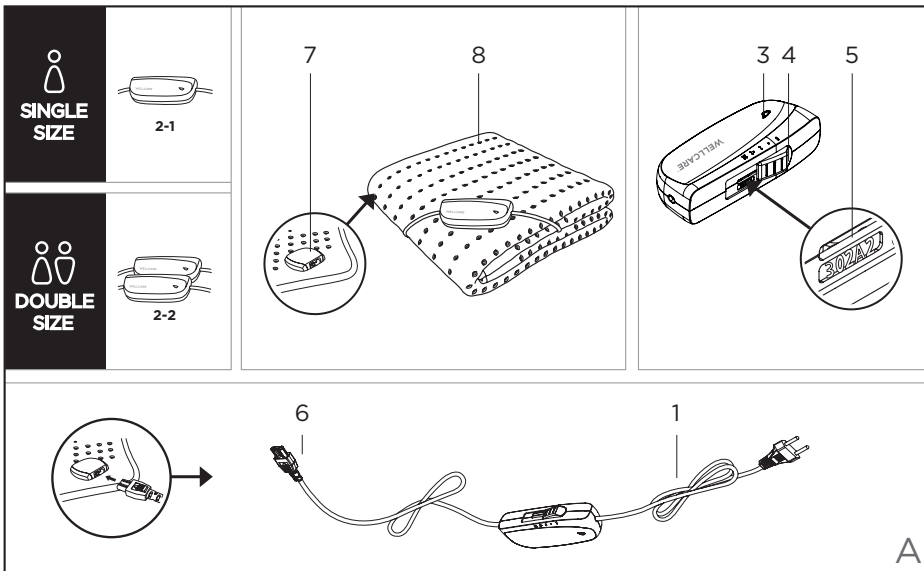
---

## **IMPORTANT SAFETY INSTRUCTIONS RETAIN FOR FUTURE USE**

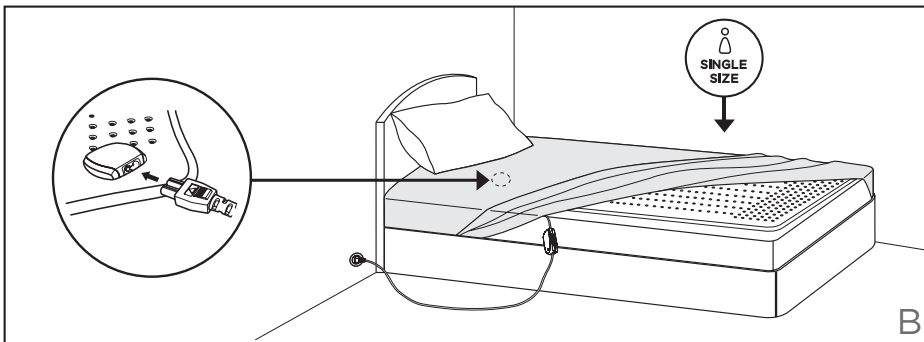
### **KEEP CAREFULLY IN CASE IT IS NEEDED!**

This electric underblanket is designed to be used for many years if it is properly used. Read the instruction carefully to prevent damage or danger caused by incorrect use. Keep this instruction manual at an easy-to-access location so you can refer back when necessary.

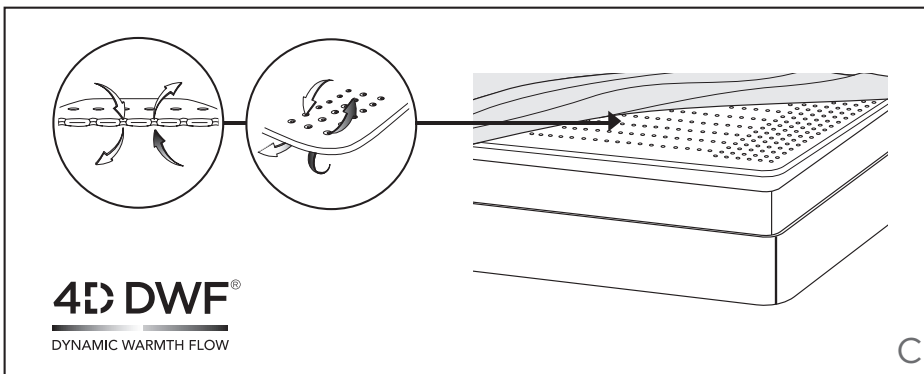
If you let somebody else use this product, please pass on this instruction manual as well and make sure the user has read it before using.



A



B



C

## **4D DWF® Technology** (please see fig. C)

This electric underblanket utilizes WELLCARE's recent and the most innovative technology - 4D DWF®. While this technology pioneers in the flexible heating industry, its production process is also the state of the art.

Our physical living environment consists of three dimensions, width, length, and depth; hence, the term "3D". As Wellcare introduces to you the 4D DWF® technology, the "temperature" brought to you by dynamic flow of warmth is the definition of the fourth dimension. 4D DWF® employs concepts of breathing system which creates full-body heat circulation for heat to disperse evenly, thoroughly, and quickly. The heat is generated by heating elements, builds up and gathers around several hundred uniquely designed circular holes. Through these holes, the heat flows bi-directionally to create a gentle heat flow and the thermal energy can flow rapidly to warm up human bodies.

There are many benefits of this innovative technology :

- Better breathability
- Rapid heating
- Higher temperature
- Uniquely designed holes to provide 360° warmth circulation
- Greater heat distributing area
- Effective heat transmission
- Strands of warmth flow retain air moisture
- Warmth kept at a constant temperature
- Energy saving

## **BBC (BEST BED CLIMATE) DESIGN**

What is BBC Design?

Many factors that can impact one's sleeping quality, temperature is one of them. There are more and more people consider that the right temperature on the bed could lead to an ideal sleep. With that being said, if we can create a comfortable and suitable environment, in other words, the Best Bed Climate, then, it is more likely for us to fall asleep easier and improve our sleep quality.

BBC (Best Bed Climate) design is originated from the elements of 4D DWF (Dynamic Warmth Flow), breath, warmth, and nature. When the blanket is switched on, cold and warm air circulates in and out each 4D DWF circular hole, soothing warmth flow and better breathability are created for people to have their optimal bed climate and enjoy a restful sleep. Warmth is delivered to people's body as natural as breathing air.

BBC Design Application

The timer function in all Wellcare electric heating products is with BBC design, which is a function of automatic switch-off in 90 minutes, 2 hours or 8 hours. With Wellcare's natural prescription, you can enjoy every sleep with healthy and rejuvenating energy especially for the busy you.

## **This appliance is not intended for medical use in hospitals.**

- Please read carefully and follow the instructions.
- Examine the electric underblanket frequently for signs of wear or damage. If there are such signs or if the appliance has been misused or does not work, return it to the supplier before switching it on again.
- Do not use this electric underblanket if there is visible damage.
- Use the appliance only as described in this instruction manual.
- Do not treat the electric underblanket as a sheet or tuck it in the mattress.
- Before connecting the device to your power supply, please ensure that the supply voltage stated on the rating plate is compatible with your mains supply.
- The underblanket must not be used when folded or crumpled.
- Do not use the appliance for persons who cannot move without help, small children, persons who cannot feel heat, or animals. Persons who can feel heat to some extent may only use the appliance with supervision.
- This electric underblanket must not be used by persons insensitive to heat and other very vulnerable persons who are unable to react to overheating.
- If the cable is damaged, it should be replaced by the manufacturer, its service agent or qualified persons to prevent hazards.



- Do not pierce this underblanket with needles, pins or other sharp objects.
- Do not tug, twist or make sharp bends to the cables.
- Do not carry or unplug the appliance by pulling its mains cable.
- Do not expose the controller or the mains cable to moisture or liquids.
- Do not use this underblanket when wet and only use it in dry environments.
- The cable and control unit of the appliance can give rise to risks of entanglement, strangulation, tripping or treading if not correctly arranged. The user shall make sure that excess ties and electric cords shall be arranged in a safe way.
- Do not operate the appliance unsupervised.
- Do not crease the electric underblanket.
- Avoid folding the blanket tightly.
- While the underblanket is switched on,
  - Do not place any large or heavy objects on it such as suitcases, etc.
  - Do not place any source of heat on it such as hot water bottles or heating pads.
  - Due to the components in the controller will make it slightly warm, never let the controller to be covered or placed on the heating pad, pillows and the like or lie on the electric mattress heater.
- Do not fold this electric underblanket when it is hot.
- This underblanket is only designed to warm up

the human body. Do not use it on pets or other animals.

- If you do not use the blanket daily, unplug the mains cable from the socket and take the blanket off your bed. Keep it dry until it will be used again – the original packaging is perfect to store it.
- Caution! Never fall asleep while the appliance is in operation.
- When the appliance will be used for an extended period (falling asleep), the temperature setting should be adjusted to the lowest level (setting 1) for continuous use to avoid overheating on the same body part, which may lead to burns to the skin.
- If the appliance is slept on with the controls set to a higher temperature the user may suffer skin burns or heat stroke.
- Prolonged use can cause burns to the skin.
- If the blanket is used on an adjustable bed, check that the blanket and the cord do not become trapped or rucked, for example in hinges.
- Children should be supervised to ensure that they do not play with this appliance.
- Children below the age of three (0 ~ 3 years old) are not allowed to use this appliance because they are not able to react to overheating.
- This device may not be used by young children over the age of three (3) unless the control unit has been pre-set by a parent or guardian and unless the child has been adequately

instructed on how to operate the control unit safely.

- The appliance can be used by children older than 3 years and younger than 8 years under supervision and with the control always set to minimum temperature value.
- This appliance may be used by children over the age of eight (8), and persons with reduced physical, sensory or mental capabilities or lack of experience or knowledge if they have been supervised or instructed concerning use of the appliance in a safe way and understand the hazards involved.
- Cleaning and user maintenance shall not be made by children without supervision.
- If you have any concerns about health issues, please consult with your doctor before using this product.
- Do not use the underblanket on parts of the body that are swollen, injured or inflamed.
- If you experience any pain or discomfort while using the unit, stop using it immediately.
- If you use a pacemaker, please consult your doctor and the manufacturer of the pacemaker before using this product due to the EMF (electromagnetic fields) emanated from this electric product may interfere with functions of your pacemaker under certain circumstances.
- When the underblanket is not in use :
  - Set the slide switch on the controller to setting "0" (OFF)
  - The plug should be removed from the wall socket and the blanket should be stored in a

dry place, without additional weight on it.

- The plug-in connector should be removed from the blanket to avoid damages caused by twist or bend of the cable.
- When the underblanket will not be used for a period of time, we recommend that you store it in the original packaging.
  - Allow it to cool down before the folding and the storage.
  - Do not crease the blanket by placing items on top of it during storage.
  - Store it in a dry place away from any liquids or sources of heat.
- The blanket should be covered by a duvet, for example, because otherwise there will be a high loss of heat and the blanket cannot warm up properly.
- This electric underblanket must be used with the type of controller that is marked on the rating label only.

## **ITEMS INCLUDED IN THE PACKAGE**

1 Electric Underblanket

1 Controller with Cable and Plug-in Connector  
(2 Controllers with Cables and Plug-in Connectors for double size)

1 Instruction Manual

1 Service Instruction

1 Safety Reminder

1 Membership Card

## **DESCRIPTION OF THE DEVICE AND CONTROLLER** (please see fig.A)

1. Mains cable with plug
2. Controller
  - 2-1. 1 controller for single size
  - 2-2. 2 controllers for double size (2 independent warming zones)
3. APS (Active Protection System) with 3-colored LED display (on both sides)
4. Slide switch for ON, OFF and temperature settings (1, 2, 3, 4)
5. Type of the controller
6. Detachable plug-in connector
7. Connection box
8. Electric underblanket

## **PREPARING FOR USE**

(please see fig. A, B for demonstration of single size)

---

1. Place the underblanket (8) flat on the mattress, make sure it is without any folds or ruck-up.
2. The head area does not need to be heated.
3. Join the detachable plug-in connector (6) to the connection box (7). (See fig. B) (For double-size blanket, please remember to couple both plug-in connectors to the connection boxes)
4. Cover the electric underblanket (8) and the mattress with the sheet, make sure the blanket is completely flat and the controller(s) (2-1, 2-2) is not covered by the sheet, pillow or any objects.

5. Plug the mains cable (1) to the socket.
6. The blanket (8) should be covered by a duvet, for example, otherwise there will be a high loss of heat and the blanket cannot warm up properly.

Unplug the appliance from the wall socket when it is no longer in use.

## SWITCHING ON

---

Before each time you use the electric underblanket (8), please make sure it is not bundled, folded or creased before it is switched on.

Connect the electric blanket (8) only to 230VAC. Switch on the underblanket by using the hand-operated slide switch(4) and there will be 3 times of beep sound (beep-beep-beep) to ensure the electric underblanket has been operated correctly. The warm-up time for this electric underblanket is 15 minutes approximately.

In order to warm up the underblanket faster, it is recommended to initially set the underblanket at the highest temperature setting.

### Temperature settings :

**4 = maximum warmth**

**2-3 = moderate warmth**

**1 = minimum warmth**

**0 = OFF**

## APS (Active Protection System) – 3-Color LED

This electric underblanket is equipped with APS (Active Protection System)(3) technology which detects errors on the operation or component failures. By the 3-color LEDs(3) which can be seen from both sides of the controller(2-1, 2-2) and the beep sound, APS can help you to operate the product easily and safely.

- Green – Your blanket has reached the desired temperature level
- Orange – Your blanket is heating up to reach the desired temperature level

Due to the temperature variation in different environments (room, bed, etc.), an orange light may be lit on APS display to indicate continuous heating during the blanket is in use. That said, the 3-color LED may change from green to orange to heat up. Under this circumstance, please note the product is functioning properly when the orange light is indicated.

- Red light and Beep Sound – Possible malfunction or overheating, switch off the appliance immediately.

In the following situations, the red light and beep sound will come on to indicate warning:

- When the power is on but detachable plug-in connector (6) is not connected : there will be beep sound every second with the red light turned on. Please connect the detachable plug-in connector (6) to the connection box (7) and switch on the controller again.

- When the critical components are damaged there will be continuous beep sound with the red light turned on. Please disconnect the mains cable from wall outlet immediately.
- When the heating wires or other components are broken and the device cannot work anymore : there will be beep sound every second with the red light turned on.

The warnings mentioned above cannot cover all defective situations as the damages on some components will not lead to red light or beep sound.

### **TURBO HEATING**

The electric underblanket is with a turbo heating function for user to feel warmth within 15 minutes after it is switched on.



### **TIMER FUNCTION**

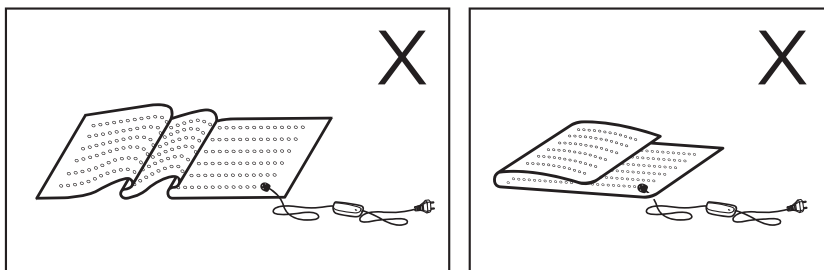
Now you can enjoy the pleasant warmth. This electric underblanket will be switched off automatically after about 120 minutes. In order to put the underblanket into operation again, you must set the slide switch to setting '0' first. After about 5 seconds, you can switch on the electric underblanket again.



### **CAUTION**

Do not use the appliance when it is folded, creased, tucked in or drawn together or it may lead to overheating or shutdown.





The electronic components inside the controller may cause the controller slightly warm when the electric underblanket is in use. Therefore, the controller must not be covered with or placed on top of any heating sources when it is in operation.

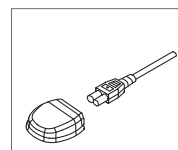
You should not gauge the electric underblanket's temperature by hands because the skin on your body is more sensitive than hands. The temperature may feel lukewarm by hand but could be unpleasantly hot to your body.

The repairs to the electric underblanket may only be undertaken by qualified persons by using original replacement parts. Repairs carried out by unqualified persons may cause substantial risk to the user.

## CLEANING AND CARE

This electric underblanket (8) is machine washable.

- Before cleaning the underblanket, always remove the main plug(s) from the socket first. Let the underblanket cool down.
- Disconnect the plug-in connector(s) (6) from the connection box(es) (7). Then put the cable and the controller to a dry place where will not contact with water or other liquids.
- To clean the controller(s) (2), use a dry, lint-free cloth. Do not use any chemical or abrasive cleaning detergents.
- Please note that the underblanket should not be dry-cleaned, wrung out, machine-dried, pressed or ironed.
- Set washing machine to a gentle washing cycle at 30°C. Use a mild washing detergent for delicate fabrics and dose it according to the manufacturer's instructions.
- Always use a laundry bag for better protection of the holes and fabric.



- After washing, reshape the blanket (8) to its original dimensions while it is still damp, and lay the blanket flat on a moisture-absorbent towel, mat or clothes horse to dry it.
- Do not use pegs or similar items to attach the blanket to the clothes horse, they may damage the blanket.
- Please note that excessive washing will wear out the electric underblanket. For this reason, the electric underblanket should only be washed a maximum of 5 times throughout its entire life.
- Only use the electric blanket when it is complete dry.
- Never switch on the electric blanket to dry it.

## STORAGE

If the electric underblanket will not be used for a long time, we highly recommend :

- Remove the plug-in connector(s) from the connection box(es).
- Always let the underblanket to cool down first before folding and storing it.
- Store it in the original packaging and put it in a dry place.
- Do not put any object on the top of the appliance.

## DISPOSAL

This appliance must not be disposed together with domestic waste but at a suitable local collection or recycling point. Please dispose of the appliance in accordance with Directive on Waste Electrical and Electronic Equipment (WEEE). If there is any question, please contact the municipal authority for more information about disposal in your area.



## WARRANTY

Please note Wellcare provides two-year limited warranty for this product. Wellcare warrants that this product will be free from defects in materials and workmanship for a period of two years beginning on the date of purchase.

During the two-year period beginning on the date of purchase, Wellcare will replace defective products covered under this limited

warranty. Please note a clear copy of the purchase receipt for the product is required. To request limited warranty service, please return the defective product to the store where you purchased it with the clear copy of purchase receipt within the limited warranty period. The replacement product will assume the remaining limited warranty of the original product.

We advise you to call our helpdesk for any problems regarding the product before returning it to the store where you purchased it.

However, please note that our limited warranty does not cover any damage due to shipment of the products to you and external causes, including accident, abuse, misuse, problems with electrical power, usage not in accordance with product instructions, failure to perform reasonable maintenance, problems caused by use of parts and components not supplied by Wellcare, and problems caused by unauthorized repair of Wellcare's product. Furthermore, our limited warranty does not cover any damage due to the defects known to exist by you when you purchase the product.

This limited warranty gives you specific legal rights, and you may also have other rights that vary from country to country (or jurisdiction to jurisdiction). Wellcare's responsibility for malfunctions and defects in product is limited to replacement as set forth in this limited warranty statement. All express and implied warranties for the product, including but not limited to any implied warranties of an conditions of merchantability and fitness for a particular purpose, are limited in duration to the limited warranty period set forth above and no warranties, whether express or implied, will apply after such period. Wellcare does not accept liability beyond the remedies set forth in this limited warranty statement or liability for indirect, incidental or consequential damages.

## TECHNICAL DATA

Model : WE-167UBHD  
 Size : 150 (L) x 80 (W) CM  
 Power Supply : 230V~ 50Hz  
 Watts : 100W

Model : WE-167UBTHD  
 Size : 150 (L) x 140 (W) CM  
 Power Supply : 230V~ 50Hz  
 Watts : 2 x 100W

## Zeichenerklärung



Lesen Sie die Anweisungen



Nicht in gefaltetem oder geknautschtem Zustand verwenden



Nicht mit Nadeln durchbohren



Nicht für Kleinkinder geeignet  
(0-3 Jahre)



Nicht chemisch reinigen



Extra Schonwasch-gang mit 30 °C



Nicht bleichen



Nicht im Wäschetrockner trocknen



Nicht bügeln

Vielen Dank für den Kauf des elektrischen Wärmeunterbetts von Wellcare.

Damit Sie unser Produkt optimal nutzen können und langfristig Freude daran haben, lesen Sie sich vor dem ersten Gebrauch bitte sorgfältig die folgenden Anweisungen durch.

---

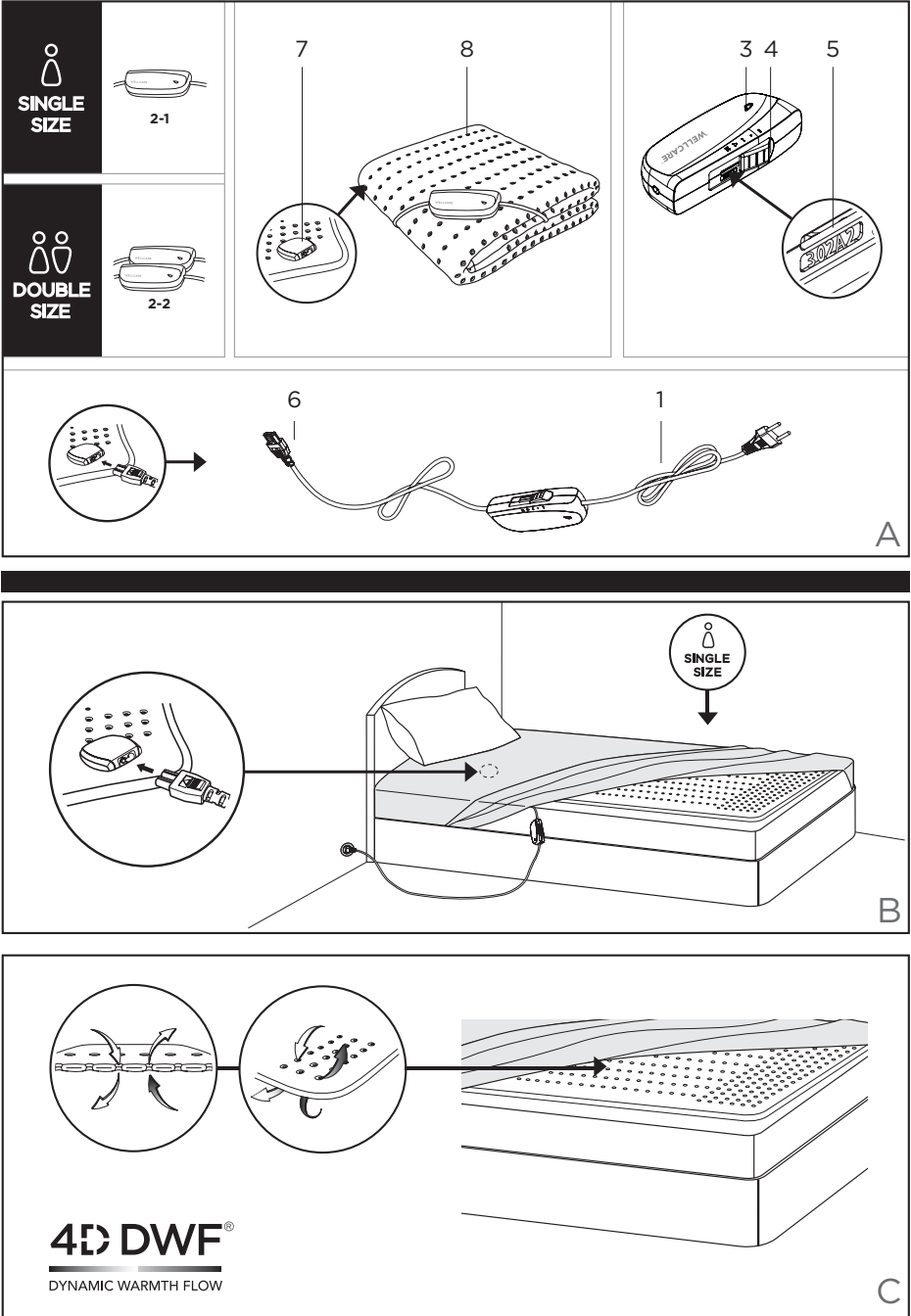
## **WICHTIGE SICHERHEITSANWEISUNGEN**

### **BEWAHREN SIE DIESE ANWEISUNGEN ZUM SPÄTEREN NACHLESEN AUF**

#### **HALTEN SIE DIESE ANWEISUNGEN GRIFFBEREIT !**

Das elektrische Wärmeunterbett ist so ausgelegt, dass Sie bei ordnungsgemäßer Verwendung viele Jahre an ihm Freude haben. Lesen Sie die Anweisungen sorgfältig durch, um Schäden oder Gefahren durch fehlerhaften Gebrauch zu vermeiden. Bewahren Sie die Bedienungsanleitung an einem leicht zugänglichen Ort für ein späteres Nachlesen auf.

Wenn Sie die Verwendung des Produkts anderen Personen überlassen, stellen Sie immer auch die Bedienungsanleitung bereit und achten darauf, dass sie vor Gebrauch des Produktes gelesen wird.



## **4D-DWF® Technologie** (siehe Abb. C)

Das elektrische Wärmeunterbett verfügt über die neue und innovative 4D DWF®-Technologie von Wellcare. Die wegweisende Technologie wird mit einem für die Wärmegeräte-Branche völlig neuen Produktionsverfahren hergestellt.

Unsere physische Lebensumwelt besteht aus drei Dimensionen – Breite, Höhe und Tiefe – kurz "3D" genannt. Mit der dynamischen Wärmeverteilung der neuen 4D-DWF®-Technologie bringt Wellcare eine vierte Dimension: Temperatur. Das atmungsaktive System sorgt für eine schnellere und gleichmäßigere Wärmeverteilung über die gesamte Fläche. Die spezielle Oberflächenform sorgt dafür, dass die von Heizelementen erzeugte Wärme um die mehreren hundert Perforierungen herum angestaut wird, die ein einzigartiges Design besitzen. Der in beide Richtungen durch die Löcher fließende Luftstrom erzeugt dann einen leichten Wärmefluss, der den Körper schneller erwärmt.

Diese neuartige Technologie bietet folgende Vorteile :

- Bessere Atmungsaktivität
- Schnelles Erwärmen
- Höhere Temperatur
- Einzigartiges Lochdesign für eine 360°-Wärmezirkulation
- Großflächigere Wärmeverteilung
- Effiziente Wärmeübertragung
- Kontrolle der Luftfeuchtigkeit dank des Wärmeflusses
- Konstante Temperatur
- Energiesparend

## **BBC (BEST BED CLIMATE) DESIGN**

Was bedeutet BBC Design?

Zu den zahlreichen Faktoren, die die Schlafqualität beeinflussen, gehört die Temperatur. Immer mehr Menschen sind der Meinung, dass die richtige Betttemperatur zu einer idealen Schlafqualität führt. Wenn wir also eine komfortable und geeignete Umgebung schaffen können - oder anders ausgedrückt das Best Bed Climate - dann ist es wahrscheinlicher, dass wir leichter einschlafen und unsere Schlafqualität verbessern.

Das BBC (Best Bed Climate) Design geht auf die Elemente des 4D DWF (Dynamic Warmth Flow) zurück, also Atmung, Wärme und Natur. Beim Einschalten der Heizdecke strömt kalte und warme Luft in jedes runde 4D DWF Loch und aus ihm heraus, und eine wohltuende Wärme und eine bessere Atmungsfähigkeit sorgen für ein optimales Bettklima und einen erholsamen Schlaf. Die Wärme wird dem Körper so natürlich wie beim natürlichen Atmungsvorgang zugeführt.

BBC Design Application

Die Timer-Funktion in allen elektrischen Wellcare-Heizungsprodukten ist im BBC-Design, das eine Funktion der automatischen Abschaltung in 90 Minuten, 2 Stunden oder 8 Stunden ist. Mit der natürlichen Atmungsaktivität von Wellcare kann Ihr Körper jedes Mal gesunden und regenerierenden Schlaf tanken, das gilt insbesondere für Menschen, die einen anstrengenden Tag hinter sich haben.



## **Dieses elektrische Wärmeunterbett ist nicht für medizinische Anwendungen in Krankenhäusern gedacht.**

- Lesen Sie die Anweisungen aufmerksam durch und befolgen Sie diese.
- Überprüfen Sie das Produkt regelmäßig auf Verschleiß oder Schäden. Sollte es Anzeichen dafür geben oder eine Fehlbedienung oder Fehlfunktion des Produktes vorliegen, schalten Sie es nicht wieder ein und geben Sie es Ihrem Händler zurück.
- Das Wärmeunterbett darf nicht verwendet werden, wenn es offensichtliche Schäden aufweist.
- Verwenden Sie das Unterbett ausschließlich gemäß den Beschreibungen in dieser Bedienungsanleitung.
- Benutzen Sie das Wärmeunterbett nicht als Laken und schlagen Sie es nicht unter die Matratze ein.
- Bevor Sie das Produkt an die Stromversorgung anschließen, stellen Sie sicher, dass die Netzspannung mit der auf dem Typenschild angegebenen Spannung übereinstimmt.
- Das Wärmeunterbett darf nicht im gefalteten oder geknautschten Zustand verwendet werden.
- Das Unterbett darf nicht für Kleinkinder, in ihrer Bewegung eingeschränkte Personen, Personen ohne Wärmeempfinden oder Tiere verwendet werden. Personen mit eingeschränktem Wärmeempfinden dürfen das Unterbett nur unter Aufsicht verwenden.
- Das Wärmeunterbett darf nicht von Personen

ohne Wärmeempfinden oder anderen schutzbedürftigen Personen verwendet werden, die nicht auf eine Überhitzung reagieren können.

- Sollte das Netzkabel beschädigt sein, darf es ausschließlich vom Hersteller, einem Kundendiensttechniker oder Fachmann ausgetauscht werden, um Gefahren zu vermeiden.
- Das Unterbett darf nicht mit Nadeln oder anderen scharfen Gegenständen durchstochen werden.
- Kabel nicht ziehen, drehen oder knicken.
- Das Unterbett nicht am Kabel hängend transportieren und beim Abziehen von der Netzsteckdose nicht am Kabel ziehen.
- Schalter und Zuleitungen dürfen nicht keinerlei Feuchtigkeit ausgesetzt werden.
- Verwenden Sie das Produkt niemals, wenn es feucht oder nass ist, und verwenden Sie es nur in trockener Umgebung.
- Das Kabel und die Steuereinheit des Gerätes können bei unsachgemäßer Anordnung die Gefahr von Verhakung, Strangulierung, Stolpern oder Treten mit sich bringen. Der Benutzer muss sicherstellen, dass überschüssige Kabel und Kabel sicher verlegt werden.
- Das Gerät nicht ohne Aufsicht betreiben.
- Das Elektrische Wärmeunterbett nicht knautschen.
- Vermeiden Sie ein zu straffes Falten des Wärmeunterbetts.

- Wenn das Wärmeunterbett eingeschaltet ist :
  - legen Sie keine großen oder schweren Gegenstände auf das Unterbett ab, wie z. B. Koffer usw.;
  - legen Sie keine Wärmequellen wie Wärmflasche, Heizkissen oder Ähnliches auf die Heizelemente ab;
  - aufgrund seiner Bauteile kann der Regler etwas warm werden. Er darf daher weder bedeckt noch auf das Heizkissen, auf andere Kissen oder Ähnliches noch auf das elektrische Wärmeunterbett abgelegt werden.
- Das Elektrische Wärmeunterbett darf nicht zusammengelegt werden, solange es noch warm ist.
- Das Wärmeunterbett ist nur für die Verwendung für den Menschen ausgelegt und darf nicht für Tiere verwendet werden.
- Falls Sie das Wärmeunterbett nicht jeden Tag benutzen, ziehen Sie den Stecker von der Steckdose ab und entfernen die Unterdecke von Ihrem Bett. Halten Sie das Wärmeunterbett trocken, bis Sie es erneut benutzen. Für seine Aufbewahrung eignet sich am besten die Originalverpackung.
- Vorsicht! Achten Sie unbedingt darauf, bei Gebrauch des Unterbetts nicht einzuschlafen.
- Wenn Sie das Gerät für einen längeren Zeitraum (Einschlafen) verwenden, muss die Temperatur auf die niedrigste Stufe (Einstellung 1) gesetzt werden, um ein Überhitzen von Körperstellen und mögliche Hautverbrennungen zu vermeiden.

- Wenn Sie auf dem Gerät schlafen, während die Bedienelemente auf eine höhere Temperatur eingestellt sind, kann dies zu Verbrennungen oder Anzeichen eines Hitzschlags führen.
- Der Gebrauch über einen längeren Zeitraum kann zu Hautverbrennungen führen.
- Vor dem Gebrauch auf einem verstellbaren Bett ist sicherzustellen, dass das Wärmeunterbett und das Kabel nicht eingeklemmt oder gequetscht werden, etwa durch Scharniere.
- Kinder sollten beaufsichtigt werden, um sicherzustellen, dass sie nicht mit dem Gerät spielen.
- Das Unterbett darf nicht für Kleinkinder unter drei Jahren (0–3 Jahre) verwendet werden, da sie nicht bei einer Überhitzung reagieren können.
- Kinder über drei Jahren dürfen dieses Gerät nur benutzen, wenn ein Elternteil oder ein Betreuer das Produkt im voraus eingestellt hat oder wenn das Kind in die sichere Bedienung eingewiesen worden ist und die Gefahren der Benutzung verstehen.
- Das Gerät kann von Kindern, die älter als 3 Jahre und jünger als 8 Jahre sind, unter Aufsicht benutzt werden, wobei die Steuerung immer auf den Mindesttemperaturwert eingestellt ist.
- Das Gerät kann von Kindern ab 8 Jahren sowie von Personen mit reduzierten physischen, sensorischen oder mentalen Fähigkeiten oder Mangel an Erfahrung und/oder Wissen benutzt werden, wenn sie beaufsichtigt oder bezüglich des sicheren Gebrauchs des Gerätes

unterwiesen wurden und die daraus resultierenden Gefahren verstanden haben. Kinder dürfen nicht mit dem Gerät spielen.

- Reinigung und Benutzer-Wartung dürfen nicht durch Kinder ohne Beaufsichtigung durchgeführt werden.
- Wenn Sie Bedenken bezüglich gesundheitlicher Probleme haben, fragen Sie Ihren Arzt, bevor Sie dieses Produkt verwenden.
- Verwenden Sie das Unterbett nicht für Körperteile, die geschwollen, verletzt oder entzündet sind.
- Wenn Sie das Unterbett als unangenehm oder schmerzhaft empfinden, müssen Sie seine Verwendung sofort einstellen.
- Wenn Sie einen Herzschrittmacher tragen, wenden Sie sich vor dem Gebrauch des Unterbetts an Ihren Arzt oder den Hersteller des Schrittmachers, da die von dem Produkt erzeugten elektromagnetischen Felder unter bestimmten Umständen den Betrieb des Herzschrittmachers beeinträchtigen könnten.
- Wenn das Wärmeunterbett nicht verwendet wird,
  - Stellen Sie den Regler auf "0" (OFF).
  - Ziehen Sie den Stecker von der Wandsteckdose ab und bewahren Sie das Wärmeunterbett an einem trockenen Ort auf. Legen Sie keine Gegenstände auf das Unterbett.
  - Ziehen Sie den Steckverbinder vom Unterbett ab, um Schäden durch ein verdrehtes oder geknicktes Kabel zu vermeiden.
- Wenn das Unterbett für längere Zeit nicht benutzt wird, empfehlen wir, dass Sie es in der

Originalverpackung aufbewahren.

- Lassen Sie es abkühlen, bevor Sie es zusammenfalten und aufbewahren.
- Achten Sie darauf, dass das Unterbett nicht durch Ablegen von Gegenständen auf das Unterbett verknautscht wird.
- Bewahren Sie das Unterbett an einem trockenen und kühlen Ort auf.
- Das Wärmeunterbett muss bedeckt werden, mit einer Bettdecke zum Beispiel, um einen hohen Wärmeverlust und ein nicht ausreichendes Erwärmen zu verhindern.
- Das elektrische Wärmeunterbett muss mit dem Regler verwendet werden, der auf dem Typenschild angegeben ist.

## **LIEFERUMFANG**

1 Elektrisches Wärmeunterbett

1 Schalter mit Kabel und Steckverbinder  
(Doppelgröße verfügt über 2 Schalter mit Kabel und Steckverbinder)

1 Gebrauchsanweisung

1 Service Instruktion

1 Sicherheitshinweis

1 Mitgliedsausweis

## **BESCHREIBUNG VON PRODUKT UND SCHALTER** (siehe Abb. A)

1. Netzkabel mit Stecker

2. Schalter
  - 2-1. 1 Schalter für Einzelgröße
  - 2-2. 2 Schalteinheiten für Doppelgröße (2 unabhängig voneinander einstellbare Heizbereiche)
3. APS (Aktives Schutzsystem) mit 3-farbiger LED-Anzeige (beidseitig)
4. Schieberegler für Ein/Aus (ON/OFF) oder die gewünschte Temperatureinstellung (4-stufig)
5. Reglertyp
6. Trennbarer Steckverbinder
7. Regleranschluss
8. Elektrisches Wärmeunterbett

## **VOR DEM GEBRAUCH**

(siehe Abb. A, B als Beispiel für die Einzelgröße)

---

1. Legen Sie das elektrische Wärmeunterbett (8) flach auf die Matratze und achten Sie darauf, dass sich keine Falten oder Knicke bilden.
2. Im Kopfbereich ist keine Erwärmung erforderlich.
3. Schließen Sie den trennbaren Steckverbinder (6) am Regleranschluss (7) an. (Denken Sie bei der Doppelgröße daran, beide Steckverbinder anzuschließen).
4. Beziehen Sie die Matratze und das elektrische Unterbett mit einem Bettlaken. Achten Sie darauf, dass das Unterbett vollständig glatt ist und die Regler (2-1, 2-2) nicht von Laken, Kissen oder anderen Gegenständen bedeckt werden.

5. Schließen Sie das/die Netzkabel(1) an der Steckdose an.
6. Das Wärmeunterbett (8) sollte zum Beispiel mit einer Bettdecke bedeckt werden, um einen hohen Wärmeverlust und eine nicht ausreichende Erwärmung zu verhindern.

Ziehen Sie den Stecker von der Steckdose ab, wenn Sie das Unterbett nicht mehr benutzen.

## EINSCHALTEN

---

Stellen Sie vor dem Einschalten des elektrischen Wärmeunterbetts (8) sicher, dass es nicht zusammengerollt, gefaltet oder geknautscht ist.

Schließen Sie das elektrische Unterbett nur an ein 230-V-Wechselstromnetz an. Schalten Sie es mit dem Schieberegler (4) ein. Ein dreifacher Piepton zeigt an, dass es ordnungsgemäß eingeschaltet wurde. Die Aufwärmzeit für das Unterbett beträgt ungefähr 15 Minuten.

Um das Wärmeunterbett schneller aufzuwärmen, wird empfohlen, das Unterbett zunächst auf die höchste Temperatureinstellung zu stellen.

### Temperatureinstellungen :

**4 = maximale Wärme**

**2 - 3 = mittlere Wärme**

**1 = minimale Wärme**

**0 = OFF (AUS)**



## APS (Aktives Schutzsystem) – 3-farbige LED

Dieses elektrische Unterbett ist mit der APS-Technologie (aktives Schutzsystem) (3) ausgestattet, die Betriebs- und Bauteilfehler erkennt. Mithilfe der auf beiden Seiten des Reglers (2) angebrachten 3-farbigen LED-Anzeige (3) und einem Piepton ist das APS einfacher und sicherer im Gebrauch.

- Grün – Ihr Wärmeunterbett hat die gewünschte Temperatur erreicht.
- Orange – Ihr Wärmeunterbett wird bis auf die gewünschte Temperatur aufgeheizt.

Aufgrund von Temperaturunterschieden in den verschiedenen Umgebungen (Zimmer, Bett usw.) kann die LED am APS-Display beim Betrieb des Unterbetts orangefarben leuchten, um ein anhaltendes Heizen anzuzeigen. Dennoch kann die 3-farbige LED beim erneuten Aufheizen von grün nach orange wechseln. Wenn unter diesen Umständen die Anzeige orange leuchtet, ist der Betrieb des Wärmeunterbetts normal.

- Rote Anzeige und Piepton – Mögliche Fehlfunktion oder Überhitzung, das Wärmeunterbett sofort ausschalten.

In den folgenden Situationen werden die rote LED und der Piepton aktiv, um vor Folgendem zu warnen :

- Das Unterbett ist eingeschaltet, aber der abziehbare Steckverbinder (6) ist nicht angeschlossen: Es ertönt ein Piepton pro Sekunde, die rote Leuchte ist an. Schließen Sie den abziehbaren Steckverbinder (6) am

Regleranschluss (7) an und schalten Sie den Regler erneut ein.

- Wenn wichtige Komponenten beschädigt sind: Es ertönt ein ununterbrochener Piepton. Ziehen Sie das Netzkabel sofort von der Wandsteckdose ab.
- Wenn die Heizdrähte oder andere Komponenten kaputt sind und das Wärmeunterbett nicht mehr funktioniert: Es ertönt ein Piepton pro Sekunde, und die rote Kontrollleuchte ist an.

Die vorgenannten Warnmeldungen treten nicht bei allen möglichen Störungssituationen auf, da Schäden an bestimmten Komponenten weder zu einem Aufleuchten der roten Kontrollleuchte noch zu einem Piepton führen.

## TURBO-HEIZUNG

Das elektrische Wärmeunterbett verfügt über eine Turbo-Heizfunktion, damit sich der Benutzer bereits 15 Minuten nach dem Einschalten wärmen kann.



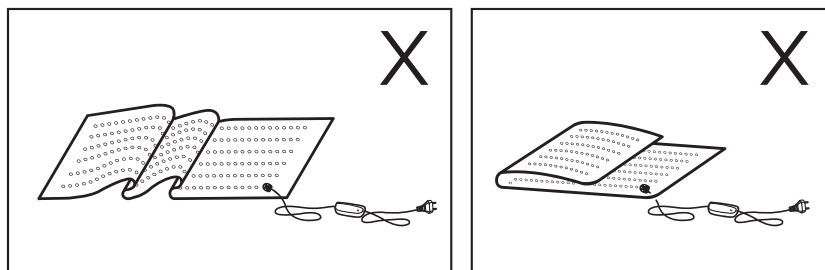
## TIMER-FUNKTION

Sie können jetzt die angenehme Wärme genießen. Dieses Wärmeunterbett schaltet sich nach ca. 120 Minuten automatisch ab. Um das Unterbett wieder einzuschalten, müssen Sie den Schieberegler zuerst auf '0' stellen. Nach ca. 5 Sekunden können Sie das elektrische Wärmeunterbett wieder einschalten.



## VORSICHT

Verwenden Sie das Unterbett nicht, wenn es gefaltet, geknautscht, eingeschlagen oder zusammengezogen ist, da dies sonst zu Überhitzung oder Abschaltung führen kann.



Die elektronischen Teile im Regler können sich bei Betrieb des Unterbetts leicht erwärmen. Deshalb darf der Regler während des Betriebs weder zugedeckt noch auf Wärmequellen gelegt werden.

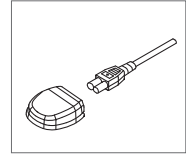
Sie sollten die Temperatur des Wärmeunterbetts nicht mit den Händen prüfen, da Ihre Hände weniger empfindlich sind als die Haut der anderen Körperbereiche. Eine Temperatur kann sich mit der Hand lauwarm anfühlen, während sie für andere Körperbereiche unangenehm heiß ist.

Reparaturen dürfen nur vom Fachmann und unter Verwendung von Original-Ersatzteilen durchgeführt werden. Reparaturen, die nicht vom Fachmann durchgeführt werden, können für den Anwender mit erheblichen Risiken einhergehen.

## REINIGUNG UND PFLEGE

Das elektrische Unterbett (8) ist für die Maschinenwäsche geeignet.

- Trennen Sie das Unterbett vor der Reinigung immer erst von der Stromversorgung und lassen Sie es abkühlen.
- Trennen Sie den/die Steckverbinder (6) vom Regleranschluss (7). Bewahren Sie Kabel und Regler an einem trockenen Ort auf, sodass sie nicht mit Wasser oder anderen Flüssigkeiten in Berührung kommen.
- Zur Reinigung des Reglers (2) verwenden Sie ein trockenes, fusselfreies Tuch. Verwenden Sie keine chemischen oder scheuernden Reinigungsmittel.
- Achtung : Das elektrische Wärmeunterbett darf nicht chemisch gereinigt, ausgewrungen, maschinell getrocknet, zusammengedrückt oder gebügelt werden.
- Das Produkt darf nur mit einem Feinwaschgang für empfindliche Textilien (max. 30 °C) gewaschen werden. Verwenden Sie ein mildes Waschmittel für empfindliche Stoffe und dosieren Sie es gemäß den Herstellerangaben.
- Verwenden Sie zum Schutz der Löcher und des Stoffes immer einen Wäschebeutel.
- Breiten Sie das noch feuchte Wärmeunterbett (8) nach dem Waschen bis auf seine ursprünglichen Abmessungen aus und legen es dabei auf ein feuchtigkeitaufnehmendes Handtuch, eine Matte oder einen Wäscheständer.
- Verwenden Sie keine Wäscheklammern oder Ähnliches, um das Wärmeunterbett am Wäscheständer zu befestigen, da es dadurch beschädigt werden könnte.
- Bitte beachten Sie, dass zu häufiges Waschen das elektrische Unterbett schneller verschleißt. Daher sollte es während seiner gesamten Lebensdauer maximal 5 Mal gewaschen werden.
- Verwenden Sie das Unterbett ausschließlich, wenn es vollständig trocken ist.
- Schalten Sie das Unterbett niemals ein, um es zu trocknen.



## AUFBEWAHRUNG

Wenn Sie das elektrische Unterbett für einen längeren Zeitraum nicht verwenden, empfehlen wir Ihnen dringend :

- Trennen Sie den Steckverbinder vom Regleranschluss.
- Lassen Sie das Unterbett stets abkühlen, bevor Sie es zusammenfalten und aufbewahren.
- Verpacken Sie es in seiner Originalverpackung (sofern vorhanden) und bewahren Sie es an einem trockenen Platz auf.
- Legen und stellen Sie keine anderen Gegenstände auf das Produkt.

## UMWELTFREUNDLICHE ENTSORGUNG

Dieses Gerät darf nicht zusammen mit dem Hausmüll, sondern muss an einer geeigneten örtlichen Sammel- oder Verwertungsstelle entsorgt werden. Entsorgen Sie das Wärmeunterbett gemäß der Richtlinie über Elektro- und Elektronik-Altgeräte (WEEE). Bei Fragen wenden Sie sich bitte an die Gemeindeverwaltung, um weitere Informationen zur Entsorgung in Ihrer Nähe zu erhalten.



## GARANTIE

Bitte beachten Sie, dass Wellcare für dieses Produkt eine zweijährige beschränkte Garantie gewährt. Wellcare garantiert für einen Zeitraum von zwei Jahren ab Kaufdatum, dass dieses Produkt frei von Material- und Herstellungsfehlern ist.

Während der zweijährigen Garantiezeit ab Kaufdatum tauscht Wellcare alle fehlerhaften Produkte um, die unter diese beschränkte Garantie fallen. Bitte beachten Sie, dass für den Umtausch eine lesbare Kopie des Kaufbeleges für das Produkt erforderlich ist. Um die beschränkte Garantie geltend zu machen, bringen Sie das fehlerhafte Produkt zusammen mit der lesbaren Kopie des Kaufbeleges innerhalb der Garantielaufzeit in das Geschäft zurück, in dem Sie es erworben haben. Für das Ersatzprodukt gilt dann die verbleibende Garantielaufzeit des ursprünglichen Produkts.

Wir empfehlen Ihnen, bei Problemen mit dem Produkt zunächst unseren Kundendienst anzurufen, bevor Sie das Produkt zum Geschäft zurückbringen, in dem Sie es gekauft haben.

Beachten Sie jedoch, dass die beschränkte Garantie keinerlei Schäden abdeckt, die während des Transports des Produktes zu Ihnen oder durch externe Ursachen entstehen, einschließlich Unfälle, unsachgemäße oder nicht bestimmungsgemäße Verwendung, Probleme mit der Stromversorgung, mangelhafte Wartung, Probleme infolge der Verwendung von Teilen und Komponenten, die nicht von Wellcare bereitgestellt wurden, sowie Probleme durch Produktreparaturen, die nicht von Wellcare autorisiert wurden. Außerdem deckt die Garantie keinerlei Schäden ab, die Ihnen beim Kauf des Produktes bereits bekannt waren.

Diese beschränkte Garantie gewährt Ihnen bestimmte Rechtsansprüche. Möglicherweise stehen Ihnen weitere Rechte zu, die von Land zu Land (und von Gerichtsbarkeit zu Gerichtsbarkeit) unterschiedlich sein können. Die Haftung von Wellcare für Funktionsstörungen und Mängel des Produktes ist gemäß dieser beschränkten Garantieerklärung auf den Umtausch beschränkt. Sämtliche implizite und explizite Garantien für das Produkt, einschließlich - jedoch ohne, dass dies eine Beschränkung darstellt - impliziter Garantien für Markttauglichkeit und Eignung für einen bestimmten Zweck, sind in ihrer Laufzeit auf den oben genannten Zeitraum beschränkt, und nach Ablauf dieses Zeitraums erlöschen sämtliche implizite und explizite Garantieansprüche. Wellcare übernimmt keine Haftung, die über die in der beschränkten Garantie genannten Rechtsmittel hinausgehen und keine Haftung für indirekte, Neben- und Folgeschäden.

## TECHNISCHE DATEN

Modell : WE-167UBHD  
Größe : 150 (L) x 80 (B) CM  
Stromversorgung : 230V- 50Hz  
Elektrische Leistung : 100W

Modell : WE-167UBTHD  
Größe : 150 (L) x 140 (B) CM  
Stromversorgung : 230V- 50Hz  
Elektrische Leistung : 2 x 100W

## Verklaring van tekens



Lees de aanwijzingen zorgvuldig door



Niet gevouwen of in elkaar geschoven gebruiken



Geen naalden insteken



Niet geschikt voor kinderen onder 3 jaar (0-3 jaar)



Niet chemisch reinigen



Machinewasbaar met een wolwasprogramma tot 30°C



Niet bleken



Niet drogen in de droogtrommel



Niet strijken

Wij bedanken u voor uw aankoop van de Wellcare elektrische Onderdeken.

Om ervoor te zorgen dat u van dit product optimaal naar volle tevredenheid kunt genieten, raden wij u aan enkele minuten de tijd te nemen om de gebruiksaanwijzing aandachtig door te lezen alvorens u het product in gebruik neemt, ook indien u met dit soort product vertrouwd bent.

---

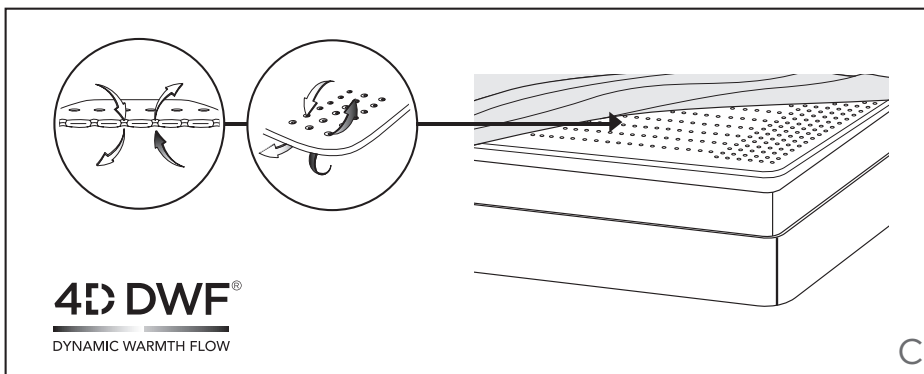
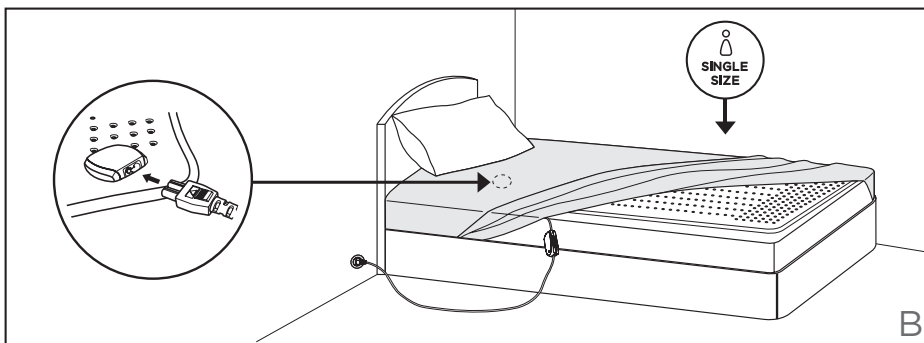
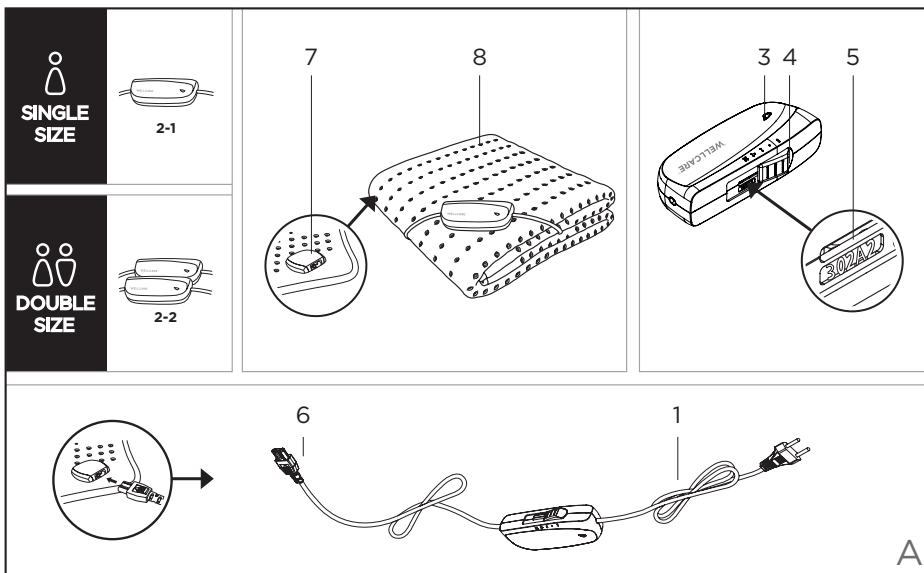
## **BELANGRIJKE VEILIGHEID INSTRUCTIES BEWAAR VOOR TOEKOMSTIG GEBRUIK**

### **HOUD DEZE INSTRUCTIES ONDER HANDBEREIK!**

Deze elektrische onderdeken is zodanig ontworpen dat deze bij juist gebruik vele jaren gebruikt kan worden. Lees deze gebruiksaanwijzing zorgvuldig door. Het voorkomt schade en gevaar door onjuist gebruik. Bewaar deze gebruiksaanwijzing op een gemakkelijk te bereiken plaats, zodat u deze indien nodig, nog eens kunt raadplegen.

Indien u het product door iemand anders laat gebruiken, geef deze persoon dan deze gebruiksaanwijzing om er zeker van te zijn dat de gebruiker deze heeft gelezen alvorens het product te gebruiken.





## **Introductie van de gepatenteerde 4D- DWF® technologie**

(zie figuur C)

Deze elektrische onderdeken maakt gebruik van Wellcare's recente - en meest innovatieve 4D DWF® technologie. Terwijl deze technologie nog in de flexibele verwarmingsindustrie pioniert is haar productie proces tegelijkertijd de allernieuwste in de industrie.

Onze fysieke leefomgeving bestaat uit 3 dimensies : lengte, breedte en diepte, vandaar de term "3D". Wellcare introduceert u de 4D DWF® technologie, de "temperatuur" die met een dynamische warmtestroom naar u toekomt is de 4e dimensie. 4D DWF® maakt gebruik van een ademend systeem dat een volledige lichaamswarmte circulatie creëert door warmte die gelijkmatig, intensief en snel verspreid wordt.

De warmte wordt door verwarmingselementen gegenereerd en wordt rond enkele honderden unieke circulatie gaten verzameld. De warmte vloeit in 2 richtingen en creëert daarmee een prettige warmte stroom en thermische energie die het menselijk lichaam snel opwarmt.

Deze vernieuwende technologie biedt u de volgende voordelen :

- Betere ademende werking
- Snelle opwarming
- Hogere temperatuur
- Uniek ontworpen ronde openingen die een 360 graden warmtecirculatie bieden
- Groot warmte verdeel oppervlak
- Effectieve warmte overdracht
- Luchtstromen behouden de luchtvochtigheid
- De warmte blijft op een constante temperatuur
- Energiezuinig

## **BBC (BEST BED CLIMATE) ONTWERP**

Wat is het BBC ontwerp?

Van de vele factoren die van invloed kunnen zijn op de slaapkwaliteit, is de temperatuur er een van. Er zijn steeds meer mensen die van mening zijn dat de juiste temperatuur op het bed kan leiden tot een ideale slaap. Dat gezegd hebbende, als we een comfortabele en geschikte omgeving kunnen creëren, met andere woorden, het Beste Bedklimaat, dan is het waarschijnlijker dat we gemakkelijker in slaap vallen en onze slaapkwaliteit verbeteren.

Het BBC (Best Bed Climate) ontwerp is ontstaan uit de elementen 4D DWF (Dynamische Warmte Stroom), ademhaling, warmte en natuur. Wanneer de deken wordt ingeschakeld, circuleert koude en warme lucht in en uit elke 4D DWF cirkelvormige opening. Een kalmerende warmtestroom met een beter ademend vermogen wordt gecreëerd voor mensen om hun optimale bedklimaat te hebben en te genieten van een rustgevende slaap. Warmte wordt afgegeven aan het lichaam van mensen, net zo natuurlijk als ademlucht.

BBC Ontwerp toepassing

De timerfunctie in alle Wellcare elektrische verwarmingsproducten is met BBC-ontwerp, wat een functie is van automatische uitschakeling in 90 minuten, 2 uur of 8 uur. Met het natuurlijke recept van Wellcare, kunt u genieten van elke slaap met gezonde - en verjongende energie, vooral voor de drukke u.

## **Dit product is niet bestemd voor medische toepassing in ziekenhuizen.**

- Lees deze instructies aandachtig door en volg de aanwijzingen nauwkeurig op.
- Onderzoek dit product regelmatig op sporen van beschadiging en slijtage. Indien u zulke sporen aantreft of wanneer het product onjuist is gebruikt of niet meer werkt lever dit dan in bij uw leverancier voordat u het weer in gebruik neemt.
- Gebruik dit product niet wanneer het zichtbaar beschadigd is.
- Gebruik dit product uitsluitend zoals in de gebruiksaanwijzing wordt beschreven.
- Gebruik de elektrische onderdeken niet als laken, leg hem niet onder een matras en stop hem niet als een laken in.
- Voor u het apparaat aansluit op uw stroomtoevoer, dient u erop te letten dat de netspanning, die op het typeaanduidingsplaatje staat aangegeven overeenkomt met die van uw stroomnet.
- De onderdeken mag niet opgevouwen of gekreukeld worden gebruikt.
- Gebruik de onderdeken niet bij personen die zich niet zonder hulp kunnen bewegen, kleine kinderen, personen die ongevoelig zijn voor warmte, of dieren. Personen die slechts tot een bepaalde hoogte gevoelig zijn voor warmte mogen de onderdeken alleen onder toezicht gebruiken.
- Deze elektrische onderdeken mag niet worden

gebruikt door personen die ongevoelig zijn voor hitte of die bescherming nodig hebben, omdat zij niet op oververhitting kunnen reageren.

- Wanneer het netsnoer beschadigd is dient dit vervangen te worden door de importeur of diens service afdeling, dan wel door een gekwalificeerde persoon, om gevaarlijke situaties te voorkomen.
- Steek geen naalden, spelden of andere scherpe voorwerpen in de onderdeken.
- Buig of draai de kabel niet en maak er geen scherpe bochten in.
- Haal de stekker niet uit het stopcontact door aan de kabel te trekken. Draag het apparaat niet aan de kabel.
- Stel de controller en het netsnoer niet bloot aan vocht of vloeistoffen.
- Gebruik dit apparaat niet, indien dit nat is, en gebruik het alleen in een droge omgeving.
- De kabel en bedieningseenheid van het apparaat kunnen aanleiding geven tot risico's, zoals verstrikking, wurging, struikelen of vertrappen, als ze niet naar behoren worden neergelegd. De gebruiker dient ervoor te zorgen dat verbindingen en elektrische snoeren altijd op een veilige manier worden neergelegd.
- Laat de deken nooit aan staan zonder toezicht.
- Vermijd het kreukelen van de elektrische onderdeken.
- Vouw de deken niet te strak op.
- Wanneer de onderdeken ingeschakeld is :
  - Plaats er dan geen grote - of zware voorwerpen als bijvoorbeeld een koffer op.

- Plaats er geen warmtebronnen zoals een warmwaterfles, verwarmingskussen en dergelijke op.
- De componenten in de controller geven warmte af. Dek de controller daarom niet af en plaats deze ook niet op het bed, het kussen of op de elektrische deken, hang de controller vrij naast uw bed.
- Vouw de elektrische onderdeken niet op wanneer deze nog warm is.
- Deze onderdeken is bestemd om het menselijk lichaam op te warmen. Gebruik dit niet voor uw huis - of andere dieren.
- Wanneer u dit product niet dagelijks gebruikt, verwijder dan de stekker uit het stopcontact en neem de onderdeken van uw bed. Houd hem droog tot u de deken weer gaat gebruiken – de originele verpakking is een ideale plaats om de deken in op te bergen.
- Let op : val niet in slaap terwijl dit toestel is ingeschakeld.
- Indien dit product gedurende een langere tijd wordt gebruikt (slaap) dient u ter voorkoming van oververhitting van een bepaald lichaamsdeel dat tot huidverbranding kan leiden, de temperatuurregeling op niveau 1 voor langdurig gebruik in te stellen.
- Als op het apparaat wordt geslapen terwijl de bedieningselementen op een hogere temperatuur zijn ingesteld, kan de gebruiker brandwonden of de verschijnselen van een zonnesteek oplopen.
- Overdadig gebruik kan tot huidverbranding leiden.

- Controleer vóór het gebruik op een verstelbaar bed of de elektrische deken of het snoer niet bekneld kunnen raken of kunnen scheuren, bijvoorbeeld tussen de scharnieren.
- Kinderen dienen onder toezicht te staan om ervoor te zorgen dat ze niet met dit apparaat spelen.
- Kinderen jonger dan 3 jaar mogen het toestel niet gebruiken, omdat zij niet in staat zijn op oververhitting te reageren.
- Het apparaat mag niet worden gebruikt door jonge kinderen boven de drie (3) jaar, tenzij de bedieningseenheid vooraf is ingesteld door een ouder of voogd en tenzij het kind passende instructies heeft gekregen over een veilig gebruik van de bedieningseenheid.
- Het apparaat kan worden gebruikt door kinderen boven de 3 jaar en onder de 8 jaar, mits ze onder toezicht staan en het apparaat altijd wordt ingesteld op de laagste temperatuur.
- Dit toestel kan worden gebruikt door kinderen vanaf de leeftijd van 8 jaar, alsmede door mensen met een fysieke -, sensorische - of mentale beperking, of mensen met gebrek aan kennis of ervaring, op voorwaarde dat zij onder supervisie staan of dat zij voldoende werden geïnformeerd over het veilige gebruik van het toestel en zij de daaruit voortvloeiende mogelijke gevaren begrijpen.
- Kinderen mogen het toestel niet schoonmaken of onderhouden, wanneer ze niet onder supervisie staan.
- Indien u zich zorgen maakt over gezondheidskwesties neemt u dan voor u de

elektrische onderdeken in gebruik neemt contact op met uw arts.

- Gebruik de deken niet op lichaamsdelen die gezwollen, gewond of ontstoken zijn.
- Breek, indien u de toepassing als onaangenaam of pijnlijk ervaart, het gebruik onmiddellijk af.
- Wanneer u een pacemaker gebruikt neemt u dan voordat u dit product in gebruik neemt contact op met uw arts. De magnetische velden van dit product kunnen mogelijk onder bepaalde omstandigheden invloed hebben op de werking van uw pacemaker.
- Wanneer de onderdeken niet gebruikt wordt,
  - Plaats dan de schuif op de controller in stand "0" (UIT)
  - Verwijder de stekker uit het stopcontact en berg de deken op een droge plaats op zonder er gewicht op te plaatsen.
  - Verwijder de plug-in verbinding uit de verbindingsdoos om schade door draaien of buigen van de kabel te voorkomen.
- Wanneer de onderdeken enige tijd niet wordt gebruikt, raden we u aan deze op te bergen in de oorspronkelijke verpakking.
  - Laat de onderdeken afkoelen voordat u deze opvouwt en opbergt.
  - Leg geen voorwerpen op de opgevouwen deken wanneer deze bewaard wordt.
  - Berg het product op een droge plaats verwijderd van vloeistoffen of warmtebronnen op.
- De onderdeken dient te worden afgedekt met



een deken of dekbed om overmatig warmte verlies en het niet goed opwarmen te voorkomen.

- Gebruik deze elektrische deken uitsluitend in combinatie met het type controller dat aangegeven is op het product label van dit toestel.

## **IN DEZE VERPAKKING**

- 1 Elektrische Onderdeken
- 1 Controller met Kabel en Plug-in Verbinding  
(2 Controllers en 2 Plug-in Verbindingen bij een 2-persoons Uitvoering)
- 1 Gebruiksaanwijzing
- 1 Service Instructie
- 1 Veiligheidswaarschuwingen
- 1 Membership Kaart

## **BESCHRIJVING VAN HET PRODUCT EN DE CONTROLLER** (zie figuur A)

1. Stroomsnoer met stekker
2. Controller
  - 2-1. 1 controller voor 1-persoons uitvoering
  - 2-2. 2 controllers voor 2-persoons uitvoering  
(2 onafhankelijke warmte zones)
3. APS (Actief Protectie Systeem) met 3-kleuren led-display aan beide zijden
4. Schuifschakelaar voor ON, OFF en temperatuurstellingen 1, 2, 3, 4
5. Type controller

6. Afneembare plug-in verbinding
7. Verbindingsdoos
8. Elektrische onderdeken

## **GEREEDMAKEN VOOR GEBRUIK**

(zie figuur A, B voor uitleg van de 1-persoons uitvoering)

---

1. Plaats de onderdeken (8) glad op uw matras zonder vouwen, kreukels of oprolling.
2. Het hoofdeinde hoeft niet verwarmd te worden.
3. Verbind de afneembare plug-in verbinding (6) in de verbindingsdoos (7). (zie figuur B) (denk er bij de 2-persoons uitvoering aan om beide kanten juist aan te sluiten)
4. Plaats een laken over de elektrische onderdeken en het matras en zorg ervoor dat de deken volledig glad is en dat de controller(s) (2-1, 2-2) niet bedekt zijn door het laken, een kussen of enig ander voorwerp.
5. Steek de stekker (1) in het stopcontact.
6. De deken (8) dient te worden afgedekt met een deken of dekbed om overmatig warmte verlies en het niet goed opwarmen te voorkomen.

Verwijder de stekker uit het stopcontact wanneer u het product niet meer gebruikt.

## AANZETTEN

---

Controleer elke keer voordat u de elektrische onderdeken (8) aanzet of deze niet opgerold, gevouwen of gekreukeld is voordat u de deken inschakelt.

Verbind de elektrische onderdeken (8) uitsluitend met een 230 Volt stopcontact. Gebruik de schuifschakelaar (4) om de onderdeken aan te zetten. U hoort 3 signalen (beep-beep-beep) om aan te geven dat de elektrische onderdeken juist is ingeschakeld. De opwarmtijd voor deze elektrische onderdeken is ongeveer 15 minuten.

Om de onderdeken sneller op te warmen, adviseren wij om de temperatuur in eerste instantie op de hoogste temperatuur in te stellen.

### DE TEMPERATUUR INSTELLEN :

**4** = maximale warmte

**2 - 3** = gemiddelde warmte

**1** = minimale warmte

**0** = UIT

### APS (Actief Protectie Systeem) - 3 kleuren LED

Deze elektrische onderdeken is voorzien van de APS (Actief Protectie Systeem) (3) technologie dat fouten in de werking of in de componenten kan herkennen. Door middel van de 3-kleuren leds (3) die van beide zijden van de controller (2) kunnen worden gezien en een beep signaal helpt APS bij een makkelijkere en veilige werking van deze onderdeken.

- Groen - Uw deken heeft de gewenste temperatuur bereikt.
- Oranje - Uw deken warmt op naar de gewenste / ingestelde temperatuur.

Ten gevolge van temperatuurschommelingen in verschillende omgevingen (kamer, bed, enz.), kan een oranje lampje op het APS-display branden om aan te geven dat er continu wordt verwarmd terwijl de deken in gebruik is. De 3-kleuren LED kan van groen naar oranje veranderen om op te warmen. Wij maken u erop attent dat het product in dat geval correct functioneert wanneer het oranje lampje wordt aangegeven.

- Rood lampje en beep geluid - Het rode lampje geeft aan dat er mogelijk een storing is. Stop met het gebruik van de deken.

In de volgende situaties gaat het rode lampje branden en hoort u het beep geluid om een waarschuwing aan te geven :

- Als dit toestel is aangeschakeld, maar de afneembare plug-in verbinding (6) niet is aangesloten: U hoort elke seconde een geluidssignaal en het rode lampje gaat branden. Sluit de afneembare plug-in verbinding (6) aan op de verbindingsdoos (7) en schakel de controller opnieuw aan.
- Wanneer essentiële componenten beschadigd zijn: U hoort een ononderbroken geluidssignaal en het rode lampje gaat branden. Haal de stekker van de stroomtoevoer meteen uit het stopcontact.

- Wanneer verwarmingskabels of andere componenten stuk zijn en het toestel niet meer kan werken: U hoort elke seconde een geluidssignaal en het rode lampje brandt.

Bovenstaande waarschuwingen kunnen niet alle probleemsituaties dekken; niet alle schade aan bepaalde componenten wordt aangegeven met de rode verknipper of een geluidssignaal.

### TURBO VERWARMING

De elektrische deken is voorzien van een turbo verwarmingsfunctie waardoor u binnen 15 minuten warmte voelt nadat u de deken heeft ingeschakeld.



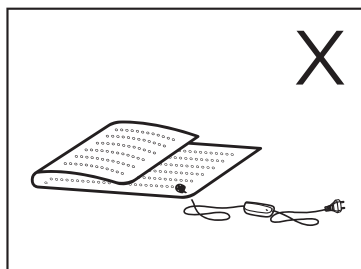
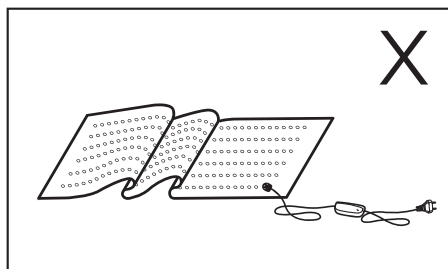
### TIMER FUNCTIE

U kunt nu genieten van de aangename warmte. Deze elektrische onderdeken wordt na ongeveer 120 minuten automatisch uitgeschakeld. Om de onderdeken weer in gebruik te nemen, dient u de schuifschakelaar eerst op '0' te zetten. Na ongeveer 5 seconden kunt u de elektrische onderdeken vervolgens weer inschakelen.



### LET OP

Gebruik het apparaat niet wanneer het gevouwen, gekreukeld, ingestopt of samengetrokken is, anders kan het oververhit raken of uitschakelen.



De elektronische onderdelen in de schakelaar kunnen warm worden als de elektrische onderdeken aan staat. Daarom dient de schakelaar niet afgedekt te worden of geplaatst te worden bovenop een in gebruik zijnde andere verwarmingsbron.

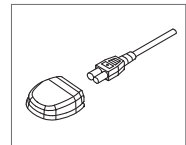
Vertrouw niet op uw handen als u de temperatuur van deze elektrische onderdeken controleert, aangezien ze minder gevoelig zijn dan het menselijke lichaam. Een temperatuur die half-warm aanvoelt met de hand, kan onplezierig warm overkomen als u op dit toestel gaat liggen.

Alleen gekwalificeerd personeel dat gebruik maakt van originele vervanging onderdelen mag een reparatie aan de elektrische onderdeken uitvoeren. Reparaties uitgevoerd door ongekwificeerd personeel kunnen tot risico's voor de gebruiker leiden.

## REINIGING EN ONDERHOUD

Deze elektrische onderdeken (8) kan in de wasmachine gewassen worden.

- Voordat u de onderdeken schoonmaakt dient u eerst de stekker uit het stopcontact te verwijderen. Wacht totdat de deken is afgekoeld.
- Verwijder de plug-in verbinding(en)(6) uit de verbindingendoos(en) (7). Leg de kabel en de controller op een droge plaats waar deze geen contact met vocht of andere vloeistof kunnen maken.
- Gebruik een droge -, pluivrije doek om de controller (2) te reinigen. Gebruik geen chemische - of schurende reinigingsmiddelen.
- Let op dat de onderdeken niet chemisch gereinigd, uitgewrongen, geperst, gestreken of gebleekt mag worden. U mag de elektrische deken ook niet in de wasdroger drogen.
- Stel de wasmachine op een fijnwasprogramma op 30 graden in. Gebruik een fijnwasmiddel volgens de dosering als door de fabrikant voorgeschreven.
- Gebruik bij voorkeur een waszak ter bescherming van de openingen en het materiaal.
- Breng de deken (8) na het wassen terug in de oorspronkelijke vorm, terwijl deze nog vochtig is en leg de deken op een vochtabsorberende handdoek, mat of droogrek om te laten drogen.
- Gebruik geen knijpers of vergelijkbare producten om de deken aan het droogrek vast te maken. De verwarmingsdeken kan hierdoor beschadigd raken.



- Let u erop dat de elektrische onderdeken slijt van veelvuldig wassen waardoor de levensduur wordt verkort. Wij raden u daarom aan de elektrische onderdeken niet meer dan 5 keer gedurende haar levenscyclus te wassen.
- Gebruik de elektrische deken uitsluitend wanneer deze volledig gedroogd is.
- Zet de elektrische deken nooit aan om te drogen.

## OPBERGEN

Indien u de elektrische onderdeken gedurende langere tijd niet gebruikt radend wij aan :

- Verwijder de plug-in verbinding uit de verbindingsdoos.
- Laat de onderdeken altijd eerst afkoelen voordat u deze opvouwt en opbergt.
- Berg het in de originele verpakking op en bewaar het op een droge plaats.
- Plaats geen voorwerpen bovenop de onderdeken.

## MILIEUVRIENDELIJKE VERWIJDERING

Volgens de Europese regelgeving met betrekking tot elektrisch – en elektronisch afval mogen huishoudelijke apparaten niet bij het ongesorteerde huisvuil worden weggegooid, maar dienen bij uw plaatselijke inzamelpunt te worden ingeleverd, zodat diverse onderdelen weer kunnen worden hergebruikt en zo minder milieubelastend zijn.



Het doorgestreepte afvalbak symbool bij dit product herinnert u aan deze verplichting. Neemt u voor informatie over uw plaatselijke regelgeving contact op met uw gemeente.

## GARANTIE

Wellcare verstrekt 2 jaar Garantie op dit product. Wellcare garandeert dat dit product vrij zal zijn van materiaalfouten en fabricagefouten gedurende een periode van 2 jaar vanaf de dag van uw aankoop.

Gedurende de garantieperiode van 2 jaar vanaf de dag van aankoop zal Wellcare defecte producten, die onder de garantievoorwaarden vallen,

vervangen. Let op: om aanspraak op de Garantie te kunnen maken is een duidelijke kopie van uw aankoopbewijs noodzakelijk.

Om aanspraak op de garantie te maken verzoeken wij u, binnen de garantietermijn, uw defecte product bij de winkel waar u dit gekocht heeft in te leveren, voorzien van een duidelijke kopie van uw aankoopbewijs. Voor het vervangende product geldt de resterende garantietermijn van het oorspronkelijke product.

Wij adviseren u voordat u een niet goed werkend product naar de winkel terugbrengt contact op te nemen met onze klantenservice.

Let op : onze Garantie dekt niet alle schade als gevolg van verzending of andere oorzaken inclusief een ongeval, misbruik, problemen met uw stroomnetwerk, gebruik van het product anders dan in de gebruiksaanwijzing aangegeven, gebrekkig onderhoud, problemen ontstaan door zelfreparatie of toepassing van ongeschikte onderdelen en problemen ontstaan door reparatie door niet door Wellcare geautoriseerde service bedrijven. Tevens is deze Garantie niet van toepassing voor schade ontstaan door een defect dat u bij aankoop al bekend was.

Deze Garantie geeft u specifieke rechten, maar zo mogelijk heeft u ook andere rechten, die per land of rechtspraak kunnen verschillen. De verantwoordelijkheid van Wellcare voor storingen en defecten in het product is beperkt tot de vervanging zoals uiteengezet in deze verklaring van beperkte garantie. Alle expliciete - en impliciete garanties voor het product, met inbegrip van maar niet beperkt tot enige impliciete garanties van verkoopbaarheid en geschiktheid voor een bepaald doel, zijn beperkt in duur tot de duur van de beperkte Garantie, zoals hierboven uiteengezet is er geen enkele garantie, noch expliciet noch impliciet, na deze periode zal van toepassing zijn. Wellcare aanvaardt geen enkele aansprakelijkheid buiten de rechtsmiddelen uiteengezet in deze verklaring van beperkte garantie of aansprakelijkheid voor indirecte, incidentele - of gevolgschade.

## TECHNISCHE GEGEVENS

Model : WE-167UBHD  
 Afmeting : 150 (L) x 80 (B) CM  
 Voltage : 230V- 50Hz  
 Watts : 100W

Model : WE-167UBTHD  
 Afmeting : 150 (L) x 140 (B) CM  
 Voltage : 230V- 50Hz  
 Watts : 2 x 100W



## Explication des symboles



Lire les consignes



Ne pas utiliser plié ou comprimé



Ne pas enfoncer une aiguille



Ne doit pas être utilisé par des enfants en bas âge (0-3 ans)



Ne pas nettoyer à sec



Lavable en machine en cycle extradélicat 30°C



Ne pas blanchir



Ne pas sécher au sèche-linge



Ne pas repasser

Merci d'avoir acheté la sous-couverture électrique WELLCARE.

Pour bénéficier d'un confort maximal et être assuré d'une satisfaction optimale, prenez le temps de lire attentivement ces instructions avant votre première utilisation de cette sous-couverture électrique.

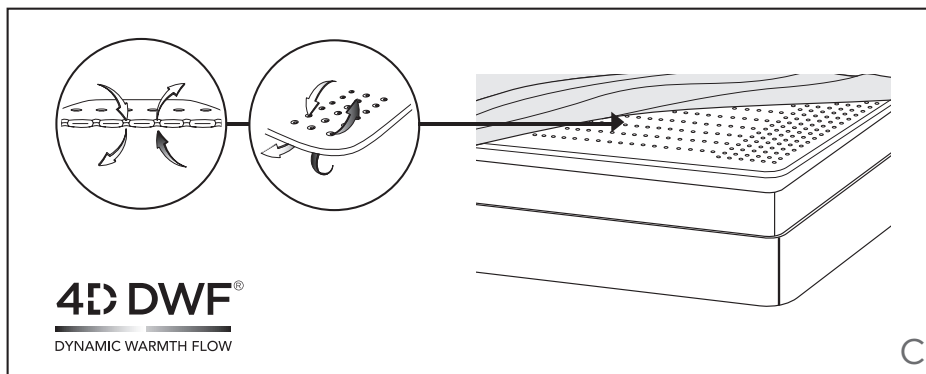
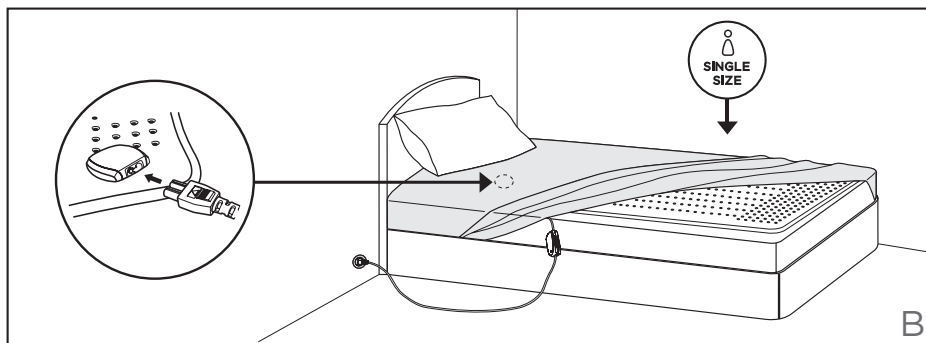
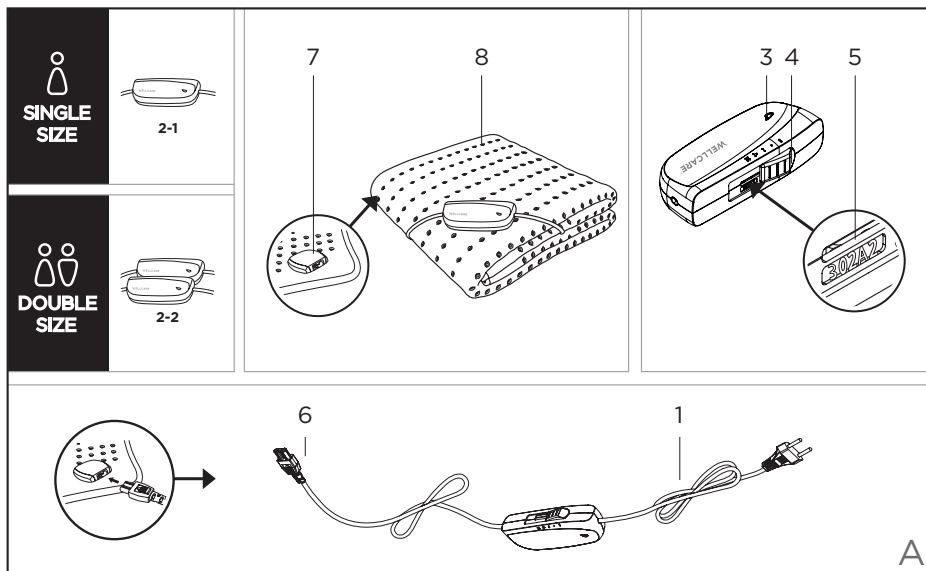
---

## **INSTRUCTIONS DE SECURITÉ IMPORTANTES CES INSTRUCTIONS DOIVENT ÊTRE CONSERVÉES POUR RÉFÉRENCE ULTÉRIEURE**

### **GARDEZ CES INSTRUCTIONS SOUS LA MAIN!**

Cette sous-couverture électrique est un produit de haute qualité, conçu pour servir de longues années à condition qu'il soit utilisé et maintenu de façon correcte. Gardez donc ces instructions afin de les consulter si besoin en est. Si une autre personne utilise ce chauffe-lit, il faut lui remettre ce mode d'emploi.

Si vous laissez quelqu'un d'autre utiliser ce produit, remettez-lui ce mode d'emploi et assurez-vous qu'il en ait pris connaissance avant l'utilisation.



## Technologie 4D DWF® (voir fig. C)

Cette sous-couverture électrique intègre la dernière technologie novatrice 4D DWF® de WELLCARE. Cette technologie est une révolution dans le secteur du chauffage flexible; elle est le fruit d'un processus de production dernier cri.

Notre environnement physique se compose de trois dimensions : largeur, hauteur et profondeur. C'est de là que vient le terme "3D". Wellcare présente maintenant sa technologie 4D DWF®, dont la quatrième dimension est la "température" fournie par un flux de chaleur dynamique. 4D DWF® exploite un concept de système respirant qui crée une circulation de chaleur sur le corps entier, de façon à assurer une dispersion de chaleur homogène, intégrale et rapide. La chaleur est générée par les éléments chauffants. Elle s'accumule autour de plusieurs centaines de trous circulaires à la conception exclusive. Par ces trous, la chaleur se répand dans deux directions afin de créer un flux de chaleur léger. L'énergie thermique peut ainsi circuler rapidement pour réchauffer le corps.

Cette technologie novatrice offre les avantages suivants :

- Meilleure respirabilité
- Chauffage rapide
- Température plus élevée
- Conception exclusive des trous assurant une circulation à 360 degrés de la chaleur
- Surface de distribution de chaleur plus importante
- Transmission de chaleur efficace
- Les flux de chaleur conservent l'humidité ambiante
- Chaleur maintenue à température constante
- Économe en énergie

## CONCEPT BBC (BEST BED CLIMATE)

Qu'est-ce que le concept BBC?

De nombreux facteurs peuvent influencer sur la qualité du sommeil, par exemple la température. Les gens sont de plus en plus nombreux à considérer qu'une bonne température au lit peut garantir un sommeil idéal. Ceci dit, si on peut créer un environnement confortable et adapté, autrement dit un Best Bed Climate (le meilleur climat au lit), il est plus probable qu'on parvienne à s'endormir plus facilement et qu'on dorme mieux.

Le concept BBC (Best Bed Climate) est issu des éléments 4D DWF (Dynamic Warmth Flow) : souffle, chaleur et nature. Lorsque la couverture est allumée, de l'air froid et chaud entre et sort de chaque trou circulaire 4D DWF. Un flux de chaleur apaisant et une meilleure respirabilité sont créés pour que les utilisateurs obtiennent un climat optimal dans leur lit, gage d'un sommeil réparateur. La chaleur est transmise au corps aussi naturellement que l'air respiré.

Application du concept BBC

La fonction de minuterie de tous les produits de chauffage électrique Wellcare est de conception BBC, qui est une fonction d'arrêt automatique en 90 minutes, 2 heures ou 8 heures. Grâce à la prescription naturelle de Wellcare, vous profitez d'un sommeil réparateur et énergisant. Les personnes qui mènent une vie active l'apprécieront.

## **Cet appareil n'est pas destiné à un usage médical en milieu hospitalier.**

- Lisez attentivement ce mode d'emploi et suivez les Instructions.
- Inspectez régulièrement l'appareil pour vous assurer qu'il ne présente pas des signes d'usure et qu'il n'est pas endommagé. Si l'appareil a été mal utilisé ou ne fonctionne pas, ne le rallumez pas et retournez-le au fournisseur.
- N'utilisez pas cet appareil s'il présente des dommages visibles.
- Veillez à toujours respecter les consignes de ce mode d'emploi lorsque vous utilisez l'appareil.
- N'utilisez pas cette sous-couverture électrique comme un drap et ne la glissez pas sous le matelas.
- Avant de raccorder l'appareil à l'alimentation électrique, veillez à ce que la tension indiquée sur la plaque signalétique corresponde à celle de l'alimentation secteur.
- La sous-couverture ne doit pas être utilisé s'il est plié ou froissé.
- N'utilisez pas l'appareil pour des personnes infirmes, bébés ou petits enfants, personnes insensibles à la chaleur ou animaux. Les personnes avec une sensibilité de chaleur limitée ne peuvent utiliser cet appareil que sous supervision.
- Cet appareil ne doit pas être utilisé par des personnes insensibles à la chaleur ou des personnes vulnérables incapables de réagir à une surchauffe.

- Lorsque le câble d'alimentation est endommagé, il faut le faire remplacer par l'importateur ou son service après-vente, ou par une autre personne qualifiée afin d'éviter des situations dangereuses.
- Ne percez pas l'appareil avec une aiguille, une épingle à nourrice ou tout autre objet pointu.
- Ne tirez pas sur les câbles, ne les entortillez pas et ne les pliez pas.
- Ne transportez pas le produit et ne le débranchez pas en tirant sur son câble secteur.
- N'exposez pas le contrôleur ni le câble secteur à l'humidité ou à des liquides.
- Ne pas utiliser l'appareil lorsqu'il est humide et uniquement dans un environnement sec.
- Le câble et l'unité de commande de l'appareil peuvent entraîner des risques d'enchevêtrement, d'étranglement, de trébuchement ou de piétinement s'ils ne sont pas correctement disposés. L'utilisateur doit s'assurer que les attaches et les cordons électriques excédentaires sont disposés de manière sûre.
- N'utilisez pas cet appareil sans surveillance.
- Évitez de froisser la sous-couverture électrique.
- Évitez de plier la sous-couverture en la serrant trop fort.
- Lorsque la sous-couverture est allumée :
  - Ne posez pas d'objets lourds ou de grande taille (comme des valises, etc.) dessus.
  - Ne placez pas de sources de chaleur (comme des bouillottes, des coussins chauffants, etc.) dessus.

- En raison de ses composants, le contrôleur peut légèrement chauffer ; ne le recouvrez donc jamais et ne le placez pas sur le tapis chauffant ou sur un oreiller, et ne vous couchez pas sur la résistance du matelas électrique.
- Ne pliez pas cette sous-couverture électrique lorsqu'elle est chaude.
- Cette sous-couverture est exclusivement destinée à réchauffer le corps humain. Ne l'utilisez pas sur un animal.
- Si vous n'utilisez pas le produit tous les jours, débranchez le cordon d'alimentation de la prise de courant et retirez la couverture du lit. Rangez-la au sec jusqu'à la prochaine utilisation ; l'emballage d'origine est idéal pour le rangement.
- Attention ! Ne vous endormez pas lorsque l'appareil fonctionne.
- Si vous utilisez l'appareil pendant une période prolongée (si vous vous endormez), la température doit être réglée sur le niveau le plus bas (réglage 1), afin d'éviter une surchauffe sur la même partie du corps, qui pourrait provoquer des brûlures.
- Dormir sur l'appareil avec les commandes réglées sur une température plus élevée peut entraîner des brûlures ou des signes de coup de chaleur.
- Une utilisation prolongée peut provoquer des brûlures.
- Avant toute utilisation sur un lit réglable, vérifiez que la couverture et le cordon ne sont pas, par exemple, pincés dans les charnières ou coincés.



- Les enfants ne doivent pas être laissés sans surveillance afin d'éviter qu'ils ne jouent avec cet appareil.
- Les enfants de moins de trois ans (0 ~ 3 ans) ne sont pas autorisés à utiliser cet appareil, car ils ne sont pas en mesure de réagir à une surchauffe.
- Cet appareil ne peut être utilisé par de jeunes enfants de plus de trois ans (3), sauf si l'unité de commande a été préréglée par un parent ou un tuteur et si l'enfant a reçu des instructions adéquates sur la manière d'utiliser l'unité de commande en toute sécurité.
- L'appareil peut être utilisé par des enfants de plus de 3 ans et de moins de 8 ans sous surveillance et avec la commande toujours réglée sur la valeur de température minimale.
- Cet appareil peut être utilisé par des enfants de plus de 8 ans et des personnes dont les capacités physiques, sensorielles ou mentales sont réduites ou qui manquent d'expérience et de connaissance, à partir du moment où elles sont surveillées ou qu'on leur a montré comment utiliser l'appareil en toute sécurité et qu'elles comprennent les dangers qui en résultent.
- Le nettoyage et l'entretien ne doivent pas être réalisés par des enfants sans supervision.
- Pour toute question relative à un problème de santé, consultez un médecin avant d'utiliser l'appareil.
- N'utilisez pas cet appareil sur des parties du corps enflées, blessées ou enflammées.

- Si l'application est ressentie comme étant désagréable, voire douloureuse, interrompez immédiatement le traitement.
- Si vous utilisez un stimulateur cardiaque, consultez votre médecin et le fabricant du : stimulateur cardiaque avant d'utiliser ce produit il émet un champ électromagnétique pouvant interférer avec les fonctions de votre stimulateur cardiaque dans certaines circonstances.
- Lorsque la sous-couverture n'est pas utilisée :
  - Réglez l'interrupteur à glissière du contrôleur en position « 0 » (éteint).
  - La fiche doit être retirée de la prise murale et la couverture doit être stockée dans un lieu sec. Ne posez rien dessus.
  - Le connecteur enfichable doit être retiré de la couverture afin d'éviter toute torsion du câble qui pourrait l'endommager.
- Si la sous-couverture n'est pas utilisée pendant un certain temps, nous vous recommandons de la conserver dans son emballage d'origine.
  - Laissez-la refroidir avant de la plier et de la ranger.
  - Ne froissez pas la couverture en plaçant des articles dessus pendant l'entreposage.
  - Stockez-la dans un endroit sec, à l'écart des liquides et des sources de chaleur.
- La couverture doit être recouverte d'une couette, par exemple, afin d'éviter une perte de chaleur et un chauffage inefficace.
- Cette couverture électrique ne doit être utilisée

qu'avec le type de contrôleur indiqué sur son étiquette de voltage.

## **CONTENU DE L'EMBALLAGE**

- 1 sous-couverture électrique
- 1 contrôleur avec câble et connecteur enfichable  
(2 contrôleurs avec câble et connecteurs enfichables pour le format double)
- 1 mode d'emploi
- 1 Instruction de service
- 1 Avis de sécurité
- 1 Carte de Membre

## **DESCRIPTION DE L'APPAREIL ET DU CONTRÔLEUR** (voir fig. A)

1. Câble d'alimentation avec fiche
2. Contrôleur
  - 2-1. 1 Contrôleur pour format simple
  - 2-2. 2 Contrôleurs pour format double  
(2 zones chauffantes indépendantes)
3. APS (Active Protection System) avec afficheur LED tricolore (des deux côtés)
4. Interrupteur pour mise en service/hors service et réglage de température (1, 2, 3, 4)
5. Type de contrôleur
6. Connecteur enfichable amovible
7. Boîtier de connexion
8. Sous-couverture électrique

## PRÉPARATION DE L'UTILISATION

(voir fig. A, B pour démonstration du format simple)

---

1. Posez la sous-couverture électrique (8) bien à plat sur le matelas, en évitant de la plier ou de la froisser.
2. La zone de tête ne doit pas être chauffée.
3. Branchez le connecteur enfichable amovible (6) au boîtier de connexion (7). (Pour la couverture en format double, n'oubliez pas de brancher les deux connecteurs enfichables aux boîtiers de connexion.)
4. Recouvrez la sous-couverture électrique et le matelas à l'aide du drap, en vous assurant que la couverture est totalement à plat et que le(s) contrôleur(s) (2-1, 2-2) ne sont pas couverts par le drap, un oreiller ou d'autres objets.
5. Branchez le câble secteur (1) à la prise.
6. La couverture (8) doit être recouverte d'une couette, par exemple, afin d'éviter une perte de chaleur et un chauffage inefficace.

Débranchez l'appareil de la prise secteur lorsqu'il est inutilisé.

## ALLUMEZ

---

Avant toute utilisation de la sous-couverture électrique, assurez-vous qu'elle n'est pas pliée ou froissée avant de l'allumer.

La sous-couverture électrique (8) ne doit être branchée qu'à un réseau 230 V c.a. Pour allumer la sous-couverture, utilisez l'interrupteur (4). Trois sonneries se font entendre afin de confirmer le bon fonctionnement de la sous-couverture. Le préchauffage de la sous-couverture électrique prend environ 15 minutes.

Pour réchauffer la sous-couverture plus rapidement, il est recommandé de régler d'abord la sous-couverture à la température la plus élevée.

### Réglage de la température :

**4 = Chaleur maximale**

**2-3 = Chaleur moyenne**

**1 = Chaleur minimale**

**0 = Éteint**

## APS (Active Protection System) – LED tricolore

Cette sous-couverture électrique est dotée de la technologie APS (Active Protection System) (3), qui détecte les erreurs de fonctionnement ou les défaillances des composants. Les LED tricolores (3) visibles sur les deux côtés du contrôleur (2) et les sonneries vous aident à utiliser le tapis chauffant de façon aisée et sûre.

- Vert : Votre couverture a atteint le niveau de température désiré
- Orange : Votre couverture est en train de se préchauffer afin d'atteindre le niveau de température désiré

En raison de la variation de température dans des environnements différents (chambre, lit, etc.), un témoin orange peut être allumé sur l'afficheur APS afin d'indiquer un chauffage continu lorsque la couverture est en cours d'utilisation. La LED tricolore peut ainsi passer du vert à l'orange pour signaler le préchauffage. Dans une telle situation, notez que le produit fonctionne correctement, même si le témoin est de couleur orange.

- Rouge et sonnerie : Possibilité de défaillance ou de surchauffe; cessez immédiatement toute utilisation. Le témoin rouge et la sonnerie.

Dans les situations suivantes, le témoin rouge s'allume et un bip retentit pour indiquer un avertissement :

- Lorsque l'appareil est sous tension, mais que le connecteur enfichable amovible (6) n'est pas branché : Un bip est émis toutes les secondes et le voyant rouge est allumé. Branchez le

connecteur enfichable amovible (6) au boîtier de connexion (7) et rallumez le contrôleur.

- Lorsque les composants critiques sont endommagés : Un bip est émis sans interruption et le voyant rouge est allumé. Débranchez immédiatement le cordon d'alimentation de la prise murale.
- Lorsque les fils chauffants ou d'autres composants sont endommagés et que l'appareil ne peut plus fonctionner, un bip est émis toutes les secondes et le voyant rouge est allumé.

Les avertissements ci-dessus ne peuvent pas couvrir toutes les défaillances possibles, car la défaillance de certains composants n'entraîne pas l'allumage de la LED en rouge ni une sonnerie.

## CHAUFFADE TURBO

La sous-couverture électrique est dotée d'une fonction de chauffage turbo qui permet à l'utilisateur de ressentir la chaleur 15 minutes après son allumage.



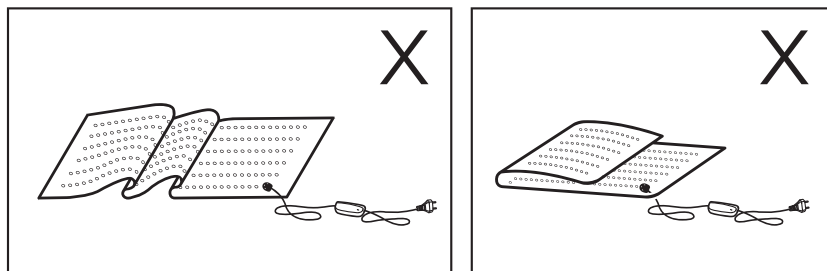
## FONCTION MINUTERIE

Vous pouvez maintenant bénéficier d'une chaleur agréable. Cette sous-couverture électrique s'éteint automatiquement après environ 120 minutes. Pour rallumer la sous-couverture, vous devez d'abord régler l'interrupteur latéral en position « 0 ». Vous pouvez rallumer la sous-couverture électrique après environ 5 secondes.



## ATTENTION

N'utilisez pas l'appareil lorsqu'il est plié, froissé, ou replié. Vous risqueriez de provoquer une surchauffe ou un arrêt de l'appareil.



En raison de ses composants, le contrôleur peut légèrement chauffer lorsque la sous-couverture électrique fonctionne. Ne recouvrez donc jamais le contrôleur et ne le placez pas sur des sources de chaleur lorsqu'il fonctionne.

Ne testez pas la température de la sous-couverture en y posant la main. La main est moins sensible à la chaleur que la peau du reste du corps. Une température perçue comme tiède par les mains peut s'avérer désagréable quand vous vous couchez.

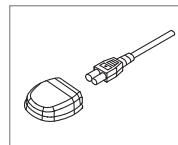
Seules les personnes qualifiées qui utilisent des pièces de rechange originales sont autorisées à faire des réparations. Les réparations



effectuées par des personnes non qualifiées peuvent comporter des risques pour l'utilisateur.

## NETTOYAGE ET ENTRETIEN

Cette sous-couverture électrique (8) est lavable en machine.



- Avant de nettoyer la sous-couverture (8), débranchez-la toujours de la prise secteur. Laissez la couverture refroidir.
- Débranchez le connecteur enfichable (6) du boîtier de connexion (7). Rangez ensuite le câble et le contrôleur à un endroit sec, où ils ne seront pas en contact avec de l'eau ou d'autres liquides.
- Pour nettoyer le contrôleur (2), utilisez un chiffon sec non pelucheux. N'utilisez pas de détergents chimiques ou abrasifs.
- Notez que la sous-couverture ne doit pas être nettoyée à sec, tordue, séchée en machine, pressée ou repassée.
- Réglez le lave-linge sur un cycle de lavage délicat à 30°C. Utilisez un détergent doux pour textiles délicats et dosez-le selon les instructions du fabricant.
- Utilisez toujours un sac pressing pour protéger au mieux les trous et le tissu.
- Après le lavage, remettez la couverture (8) en forme tant qu'elle est encore humide. Pour la faire sécher, posez-la à plat sur une serviette ou un tapis absorbant ou sur un étendoir.
- N'utilisez pas de pinces à linge pour fixer la couverture à l'étendoir, car vous risqueriez de l'endommager.
- Notez qu'un lavage excessif entraînera l'usure de la sous-couverture électrique. Par conséquent, la sous-couverture électrique ne doit être lavée au maximum que 5 fois pendant toute sa durée de vie.
- N'utilisez la sous-couverture électrique que lorsqu'elle est tout à fait sèche.
- N'allumez jamais la sous-couverture électrique pour la faire sécher.

## STOCKAGE

Si vous ne comptez pas utiliser la sous-couverture électrique pendant une longue période, suivez les conseils suivants :

- Retirez le connecteur enfichable du boîtier de connexion.
- Laissez toujours refroidir la sous-couverture avant de la plier et de la ranger
- Rangez-la dans l'emballage d'origine et placez-la dans un endroit sec.
- Ne posez aucun objet au-dessus de l'appareil.

## ÉLIMINATION ÉCOLOGIQUE

Suivant la directive de l'Union européenne relative aux déchets d'équipements électriques et électroniques, les appareils électroménagers ne peuvent plus être déposés avec les déchets résiduels, mais à un point de collecte local afin de rendre possible le recyclage des pièces et de réduire ainsi la perte de ressources précieuses.



Le symbole de la poubelle barrée vous rappelle de cette obligation. Contactez le service communal concerné pour apprendre plus sur les règles locales.

## CONDITIONS DE GARANTIE

Remarque Wellcare fournit une garantie limitée de deux ans sur ce produit. Wellcare garantit que ce produit sera exempt de tout défaut matériel et de fabrication pendant une période de deux ans à partir de la date d'achat.

Au cours de la période de deux ans qui débute à la date d'achat, Wellcare s'engage à remplacer les produits défectueux couverts par cette garantie limitée. Notez qu'une copie lisible de la preuve d'achat du produit est requise. Pour demander une intervention dans le cadre de la garantie limitée, ramenez le produit défectueux dans le magasin où vous l'avez acheté, avec une copie lisible de la preuve d'achat, pendant la période de garantie limitée. Le produit de remplacement reprendra la période restante de garantie limitée du produit initial.

Si votre produit rencontre un problème, nous vous conseillons d'appeler notre helpdesk avant de le ramener au magasin où vous l'avez acheté.

Notez toutefois que notre garantie limitée ne couvre pas les dommages causés par l'expédition du produit à votre adresse ni par des causes externes, et notamment : accidents, utilisation abusive ou inappropriée, problèmes électriques, utilisation non conforme aux instructions du produit, défaut d'entretien raisonnable, problèmes causés par l'emploi de pièces et de composants non fournis par Wellcare, ainsi que les problèmes causés par une réparation non autorisée du produit Wellcare. En outre, notre garantie limitée ne couvre pas les dommages dus à des défauts dont vous auriez connaissance lorsque vous avez acheté le produit.

Cette garantie limitée vous octroie des droits spécifiques reconnus par la loi, ainsi que d'autres variant d'un pays (ou d'une juridiction) à l'autre. La responsabilité de Wellcare à l'égard de défaillances et de défauts du produit se limite à son remplacement, tel qu'exposé dans la présente déclaration de garantie limitée. Toutes les garanties explicites et implicites pour le produit, y compris, mais de manière non exhaustive, les garanties implicites de qualité marchande et d'adéquation à un usage particulier, sont limitées à la période de garantie limitée exposée ci-dessus, et aucune garantie, explicite ou implicite, n'est d'application au terme de cette période. Wellcare décline toute responsabilité au-delà des recours exposés dans cette garantie limitée ou à l'égard de dommages indirects, accidentels ou consécutifs.

## DONNÉES TECHNIQUES

Modèle : WE-167UBHD  
Dimensions : 150 (L) x 80 (I) CM  
Alimentation électrique:  
230V- 50Hz  
Puissance calorifique : 100W

Modèle : WE-167UBTHD  
Dimensions : 150 (L) x 140 (I) CM  
Alimentation électrique :  
230V- 50Hz  
Puissance calorifique : 2 x 100W

**WELLCARE**

[wellcare-global.com](http://wellcare-global.com)